

**FURUNO***Marine Display*

## 19型カラーLCD表示器

Model **MU-190HD**

MU-190HD OPERATOR'S MANUAL 取扱説明書

FURUNO ELECTRIC CO., LTD.

**ECF**

(Elemental Chlorine Free)

The paper used in this manual  
is elemental chlorine free.

- ・ 機器の修理・使用方法等に関するお問い合わせは、お買い上げの販売店・代理店、最寄りの当社支店・営業所あてへお願いします。

・ FURUNO Authorized Distributor/Dealer お問い合わせは

**FURUNO ELECTRIC CO., LTD.**  
**古野電気株式会社**

本書の無断複写複製(コピー)は特定の場合を除き、当社権利侵害になります。

A : FEB. 2010  
B3 : SEP. 1, 2016

Printed in Japan

Pub. No. OMC-44570-B3



00017222011

(ETMI) MU-190HD

**FURUNO ELECTRIC CO., LTD.**

www.furuno.com

# IMPORTANT NOTICES

---

## General

- This manual has been authored with simplified grammar, to meet the needs of international users.
- The operator of this equipment must read and follow the descriptions in this manual. Wrong operation or maintenance can cancel the warranty or cause injury.
- Do not copy any part of this manual without written permission from FURUNO.
- If this manual is lost or worn, contact your dealer about replacement.
- The contents of this manual and equipment specifications can change without notice.
- The example screens (or illustrations) shown in this manual can be different from the screens you see on your display. The screens you see depend on your system configuration and equipment settings.
- Save this manual for future reference.
- Any modification of the equipment (including software) by persons not authorized by FURUNO will cancel the warranty.
- The following concern acts as our importer in Europe, as defined in DECISION No 768/2008/EC.
  - Name: FURUNO EUROPE B.V.
  - Address: Ridderhaven 19B, 2984 BT Ridderkerk, The Netherlands
- All brand and product names are trademarks, registered trademarks or service marks of their respective holders.

## How to discard this product

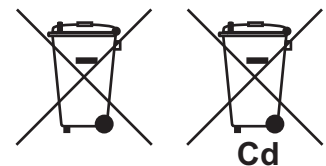
Discard this product according to local regulations for the disposal of industrial waste. For disposal in the USA, see the homepage of the Electronics Industries Alliance (<http://www.eiae.org/>) for the correct method of disposal.

## How to discard a used battery

Some FURUNO products have a battery(ies). To see if your product has a battery, see the chapter on Maintenance. Follow the instructions below if a battery is used. Tape the + and - terminals of battery before disposal to prevent fire, heat generation caused by short circuit.

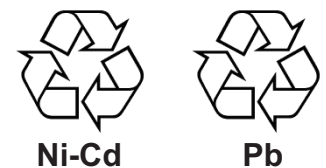
### In the European Union

The crossed-out trash can symbol indicates that all types of batteries must not be discarded in standard trash, or at a trash site. Take the used batteries to a battery collection site according to your national legislation and the Batteries Directive 2006/66/EU.



### In the USA

The Mobius loop symbol (three chasing arrows) indicates that Ni-Cd and lead-acid rechargeable batteries must be recycled. Take the used batteries to a battery collection site according to local laws.





### In the other countries

There are no international standards for the battery recycle symbol. The number of symbols can increase when the other countries make their own recycle symbols in the future.








# SAFETY INSTRUCTIONS




Read these safety instructions before you operate the equipment.




 <b>WARNING</b>	Indicates a condition that can cause death or serious injury if not avoided.
 <b>CAUTION</b>	Indicates a condition that can cause minor or moderate injury if not avoided.

 Warning, Caution	 Prohibitive Action	 Mandatory Action
--	--	---




## Safety Instructions for the Operator




 <b>WARNING</b>	
	<b>Immediately turn off the power at the switchboard if water leaks into the equipment or something is dropped into the equipment.</b>  Continued use of the equipment can cause fire or electrical shock. Contact a FURUNO agent for service.
	<b>Immediately turn off the power at the switchboard if the equipment is emitting smoke or fire.</b>  Continued use of the equipment can cause fire or electrical shock. Contact a FURUNO agent for service.
	<b>Do not disassemble or modify the equipment.</b>  Fire, electrical shock or serious injury can result.
	<b>Turn off the power immediately if you feel the equipment is behaving abnormally.</b>  Turn off the power at the switchboard if the equipment becomes abnormally warm or is emitting odd noises. Contact a FURUNO dealer or agent for advice.

 <b>WARNING</b>	
	<b>Use the proper fuse.</b>  Fuse rating is shown on the power cable. Use of a wrong fuse can result in damage to the equipment.
	<b>Do not place any object near the exhaust or intake vent.</b>  Fire may result.

 <b>CAUTION</b>	
	<b>Do not connect/disconnect the signal cable while turning the power on.</b>  The unit may be damaged.
	<b>Handle the LCD monitor with care.</b>  The face of the LCD monitor is made of glass. Injury may result if the glass breaks.

***Safety Instructions for the Installer***

 <b>WARNING</b>	
	<p><b>Turn off the power at the switchboard before beginning the installation.</b></p> <p>Fire or electrical shock can result if the power is left on.</p>
	<p><b>Do not install the equipment where it may get wet from rain or water splash.</b></p> <p>Water in the equipment can result in fire, electrical shock or damage to the equipment.</p>

 <b>CAUTION</b>		
	<p><b>Observe the following compass safe distances to prevent interference to a magnetic compass:</b></p>	
	Standard compass	Steering compass
MU-190HD	1.05 m	0.65 m
	<p><b>When lifting the display unit, hold it together with the hard cover.</b></p> <p>Grasping by the hard cover alone may allow the display unit to fall, resulting in possible bodily injury or damage to the equipment.</p>	

**About the TFT LCD**

The TFT LCD is constructed using the latest LCD techniques, and displays 99.99% of its pixels. The remaining 0.01% of the pixels may drop out or blink, however this is not an indication of malfunction.

# TABLE OF CONTENTS

---

**Note:** This manual contains both English and Japanese instructions. The Installation Materials, Outline Drawings, and Interconnection Diagram are located at the back of this manual.

<b>FOREWORD</b> .....	<b>v</b>
<b>SYSTEM CONFIGURATION</b> .....	<b>vi</b>
<b>EQUIPMENT LISTS</b> .....	<b>viii</b>
<b>1. MOUNTING, WIRING</b> .....	<b>1</b>
1.1 Preparation.....	1
1.2 Flush Mounting, Fixed at Rear .....	3
1.3 Flush Mounting, Fixed at Front .....	6
1.4 Flush Mounting, Fixed at Rear, with hood.....	8
1.5 Desktop Mounting .....	10
1.6 Flush Mounting a Series Side by Side .....	13
1.7 Wiring.....	14
<b>2. ADJUSTMENTS</b> .....	<b>16</b>
2.1 RGB/DVI Setting .....	16
2.2 Video Composite Signal Setting.....	18
2.3 The Menu Window Setting .....	19
2.3.1 How to adjust the menu window .....	19
2.3.2 How to change the signal name .....	20
<b>3. OPERATION</b> .....	<b>21</b>
3.1 Controls.....	21
3.2 How to Turn the Power On/Off.....	22
3.2.1 Turn on/off the power.....	22
3.2.2 Lock the operation .....	22
3.3 How to Adjust the Display Brilliance.....	22
3.4 How to Select the Source for Main Picture .....	23
3.5 How to Select the Source for the PIP Window .....	23
3.6 SYSTEM Menu .....	24
3.6.1 How to set the auto dimmer.....	24
3.6.2 How to adjust the brilliance from the external equipment.....	25
3.6.3 How to clear the memory.....	25
<b>4. MAINTENANCE, TROUBLESHOOTING</b> .....	<b>26</b>
4.1 Maintenance.....	26
4.2 Troubleshooting .....	27
<b>SPECIFICATIONS</b> .....	<b>SP-1</b>
<b>INSTALLATION MATERIALS</b> .....	<b>A-1</b>
<b>OUTLINE DRAWINGS</b> .....	<b>D-1</b>
<b>INTERCONNECTION DIAGRAM</b> .....	<b>S-1</b>

# FOREWORD

---

## A Word to the Owner of the MU-190HD

FURUNO Electric Company thanks you for purchasing the MU-190HD 19" Marine Display. We are confident you will discover why the FURUNO name has become synonymous with quality and reliability.

Since 1948, FURUNO Electric Company has enjoyed an enviable reputation for quality and reliability throughout the world. This dedication to excellence is furthered by our extensive global network of agents and dealers.

Your equipment is designed and constructed to meet the rigorous demands of the marine environment. However, no machine can perform its intended function unless properly installed and maintained. Please carefully read and follow the operation, installation and maintenance procedures set forth in this manual.

We would appreciate feedback from you, the end-user, about whether we are achieving our purposes.

Thank you for considering and purchasing FURUNO.

## Features

The main features of the MU-190HD are as shown below.

- Selectable screen from RGB (1 line), Digital (2 lines) or Composite (3 lines).
- Main or remote display for radars, video sounders, sonars, plotter. For the connectable equipments, see "Connectable equipment" on page vi.
- High resolution display of 1280 x 1024 (SXGA)
- Brightness of 1000 cd/m<sup>2</sup> (maximum) and 0.3 cd/m<sup>2</sup> or less (minimum) for comfortable viewing day and night
- Brill adjustment automatically with the light sensor.
- Picture-in-picture function
- Power on/off automatically through the DVI signal.

## Program

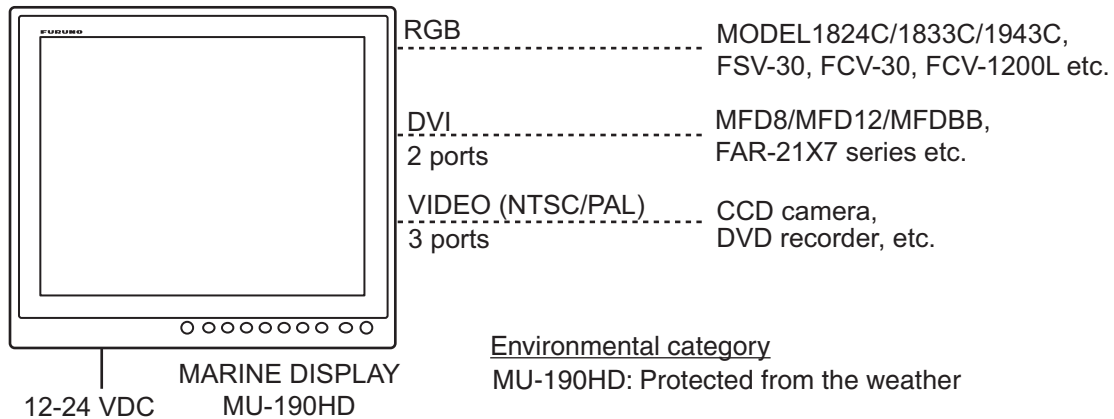
Program Name	Version	Date of Modification
Main	1.xx	Feb. 2010

xx: minor change

## CE declaration

With regards to CE declarations, please refer to our website ([www.furuno.com](http://www.furuno.com)), for further information on RoHS conformity declarations.

# SYSTEM CONFIGURATION



## Connectable equipment

Equipment	Resolution	Signal
FCV-1200L/M	VGA	Analog RGB, via IF-8000
CH-250/S	VGA	Analog RGB, via IF-8000
CH-270	VGA	Analog RGB, via IF-8000
CH-300	VGA	Analog RGB, via IF-8000
CSH-5L/8L	XGA	Analog RGB
FSV-24/S-BB	SXGA	Analog RGB
FSV-30/S-BB	SXGA	Analog RGB
FSV-84/L	SXGA	Analog RGB
FCV-30	SXGA	Analog RGB
CI-68/88	VGA	Analog RGB
FR-1510MK-3	XGA	Analog RGB, OP03-153 required
FR-21x5 series	SXGA	Analog RGB, OP03-162 required
FAR-21x7 series	SXGA	DVI
FEA-2107	SXGA	DVI
FEA-2807	SXGA	DVI
FCR-21x7 series	SXGA	DVI
FCR-28x7 series	SXGA	DVI
MODEL1833C series (NavNet)	VGA	Analog RGB, OP03-176 required
MODEL1833C-BB series (NavNet)	VGA	Analog RGB
MODEL1824C series (NavNet vx2)	VGA	Analog RGB, OP03-176 required
MODEL1824C-BB series (NavNet vx2)	VGA	Analog RGB
MFD8 (NavNet 3D)	VGA	DVI
MFD12 (NavNet 3D)	SVGA	DVI
MFDBB (NavNet 3D)	SVGA	DVI
	XGA	
	SXGA	

**Note 1:** This equipment is used as a display for a Non-SOLAS radar or ECDIS.

**Note 2:** Landscape orientation only.

**Note 3:** When inputting VGA, SVGA or XGA, a circle may be displayed as an ellipse because the aspect ratio differs. (see "DISP MODE\*" on page 17.)

# EQUIPMENT LISTS

## Standard supply

Name	Type	Code No.	Qty	Remarks
Display Unit	MU-190HD	—	1	w/ Hard cover
Installation Materials	CP26-01400	000-016-269	1 set	<ul style="list-style-type: none"> <li>CP26-01402*</li> <li>Flush Mounting Plate Assy. (CP26-01401, Code: 001-080-890) 2 pcs.</li> <li>Cable Assembly (MJ-A3SPF0018-050ZC, Code: 000-154-025-10) 1 pc.</li> </ul>
Accessories	FP26-00401	001-080-780	1 set	LCD Cleaning Cloth (19-028-3125-5, Code: 100-360-675-10) 1 pc.
Spare Parts	SP26-00301	001-080-860	1 set	<ul style="list-style-type: none"> <li>Fuse (FGBO-A 125V 7A PBF, Code: 100-360-675-10) 3 pcs.</li> <li>Fuse (FGBO 125V 15A PBF, Code: 000-155-827-10) 3 pcs.</li> </ul>

\*: See the Installation materials at the back of this manual.

## Optional supply

Name	Type	Code No.	Qty	Remarks
Cable Assembly	3COX-2P-6C 5M	001-077-230-10	1	Cable length: 5 m (15 pin D-sub connector at both ends)
	3COX-2P-6C 10M	001-077-220-10	1	Cable length: 10 m (15 pin D-sub connector at both ends)
	DVI-D/D SINGLELINK5M	000-149-054-10	1	Cable length: 5 m (with DVI-D connector at both ends)
	DVI-D/D SINGLELINK10M	000-150-200-10	1	Cable length: 10 m (with DVI-D connector at both ends)
Bracket Assembly (w/knobs)	OP26-5	000-016-270	1 set	
Hood Assembly	OP26-6	001-080-930	1 set	
Flush Mount Kit	OP26-7	001-080-940	1 set	



# 1. MOUNTING, WIRING

---

## 1.1 Preparation

### Mounting type

You can install the display unit as follows. See the outline drawing at the back of this manual for mounting dimensions.

- Flush mounting, fixed at rear (standard)
- Flush mounting, fixed at front (option)
- Flush mounting, fixed at rear, with hood (option)
- Desktop mounting (option)
- Flush mounting a series side by side, fix at rear

**Note:** The face of the LCD monitor is made of glass. Handle it with care.

### Mounting location

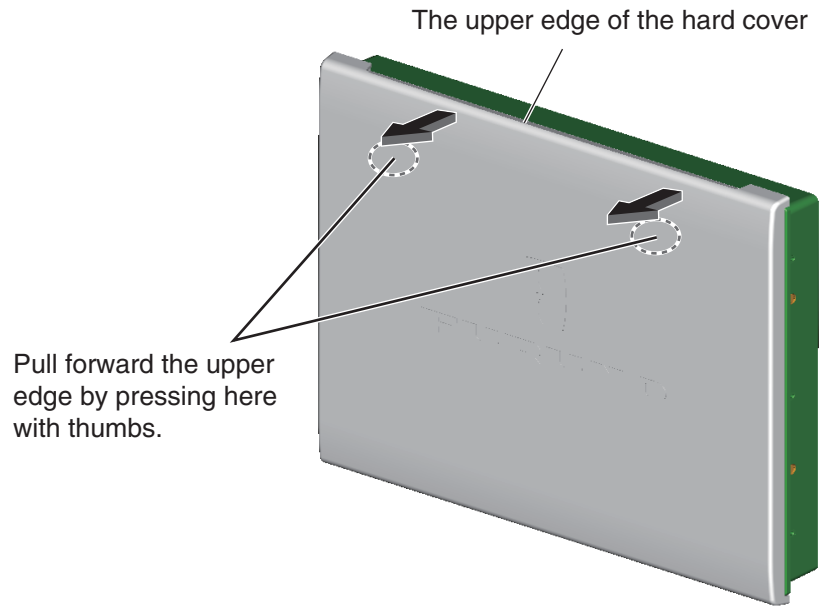
When you choose a mounting location, remember the following points:

- Make sure the mounting location is strong enough to support the weight of the unit.
- Locate the unit away from direct sunlight. An LCD may black out if it is exposed to direct sunlight for a long time.
- Select a location where the display can be easily viewed and the controls can be easily operated.
- Leave enough space around the unit for service and maintenance. See the outline drawing at the back of this manual for minimum service clearance.
- Locate the unit away from areas subject to water splash and rain.
- Observe the compass safe distances (see page iii) to prevent interference to a magnetic compass.

### How to remove/attach the hard cover

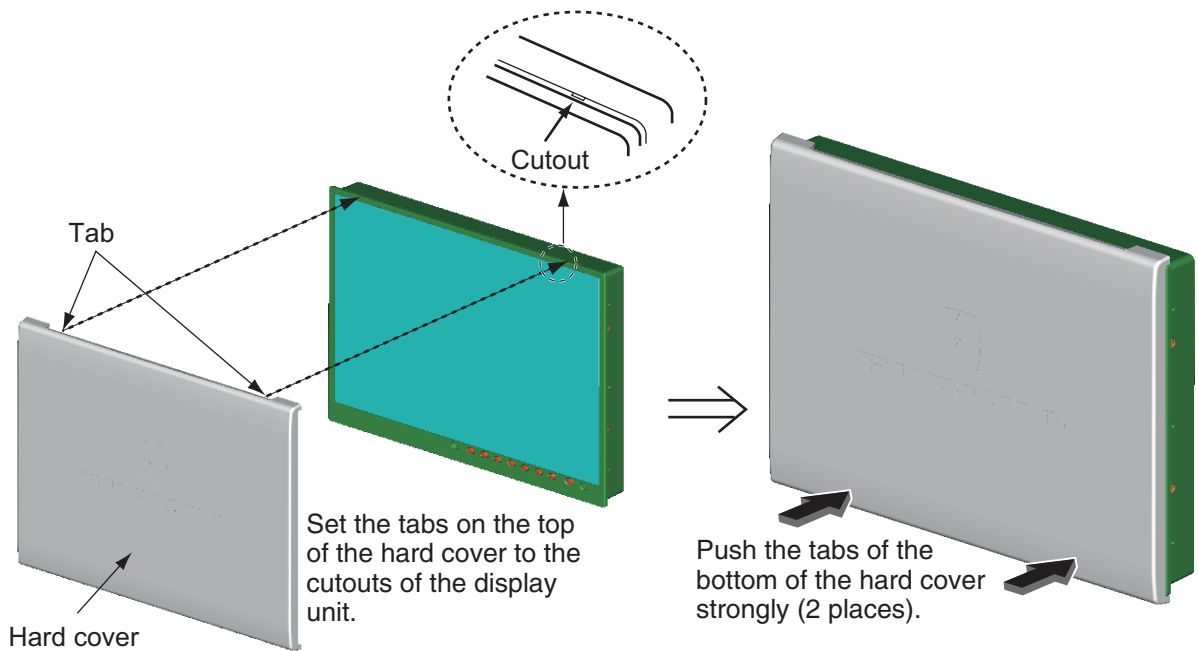
Before you install this display unit, remove the hard cover as follows.

 <b>CAUTION</b>	
	<b>When lifting the display unit, hold it together with the hard cover.</b>
Grasping by the hard cover alone may allow the display unit to fall, resulting in possible bodily injury or damage to the equipment.	



*How to remove the hard cover*

To attach the hard cover, follow the illustration in the figure below.



*How to attach the hard cover*

**Cable running**

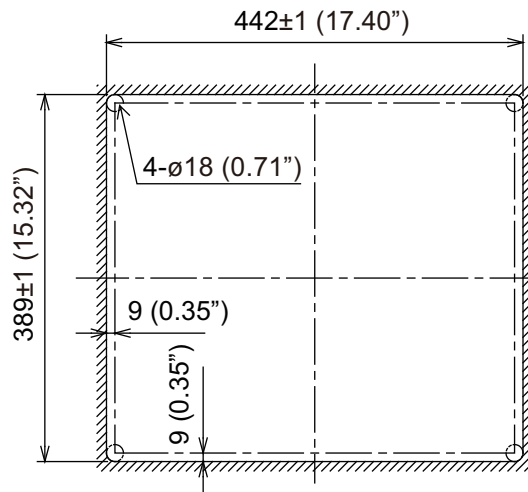
Before you install the display unit, run all cables you use. See the interconnection diagram at the back of this manual.

1. MOUNTING, WIRING

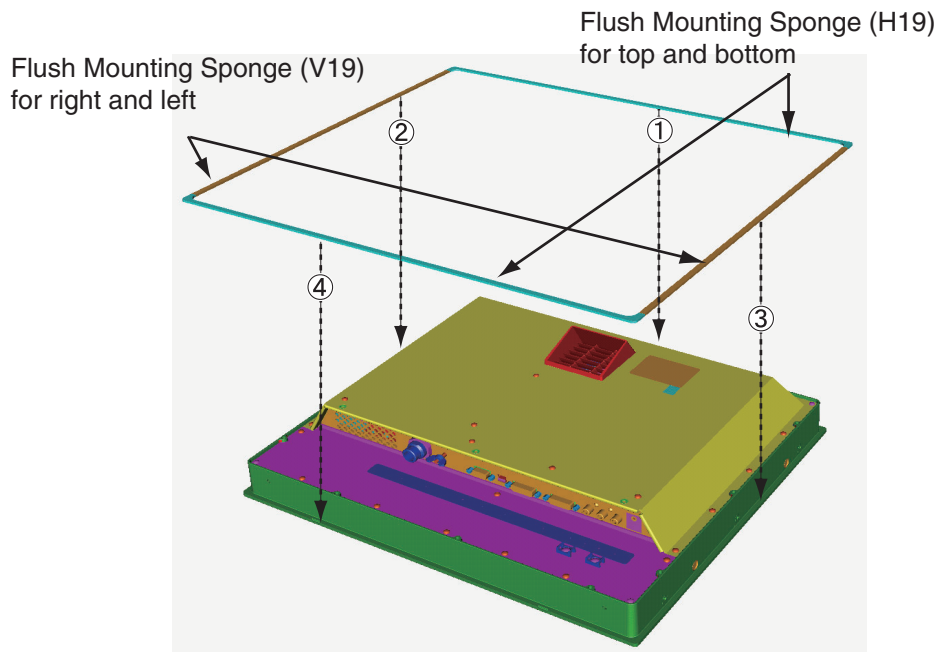
## 1.2 Flush Mounting, Fixed at Rear

Flush mounting, fix at rear is the standard installation method.

1. Make a cutout in the mounting location with the "Flush mounting template" (included).

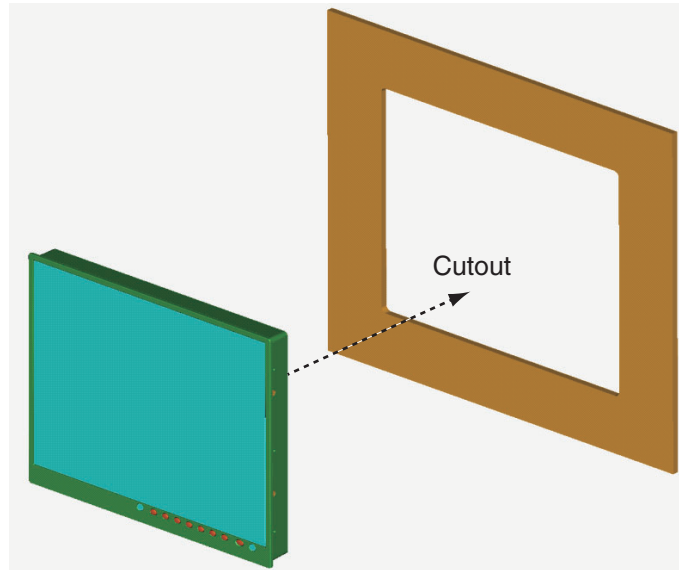


2. Attach the flush mounting sponges H19 and V19 in the order shown in the figure below.

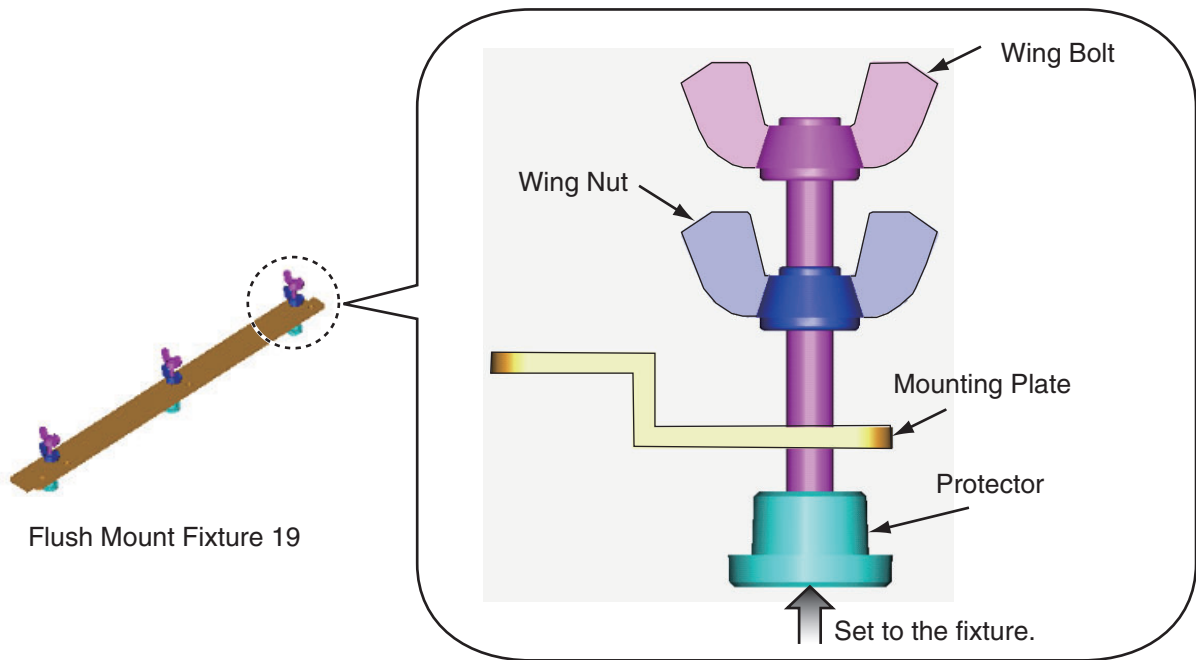


3. Connect all cables at the back of the display unit. See section 1.7.

4. Set the display unit to the cutout.

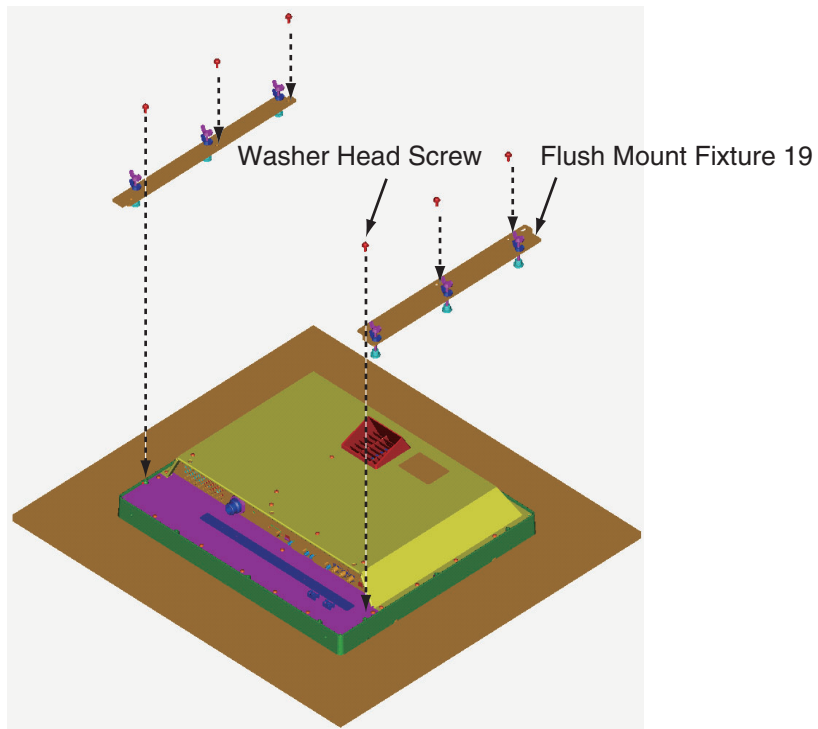


5. Screw the wing bolts and the wing nuts of the flush mount fixture so that the protector moves to the mounting plate.

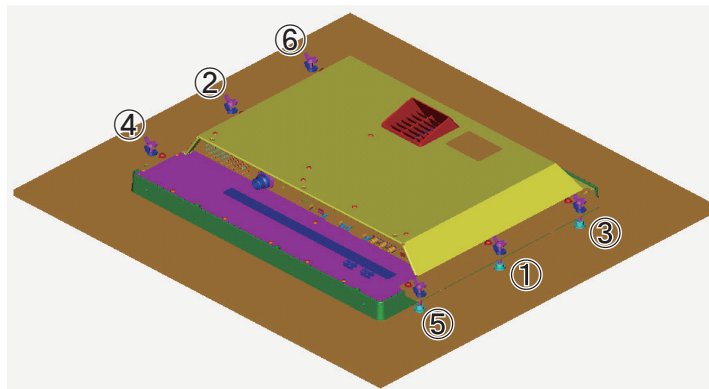


1. MOUNTING, WIRING

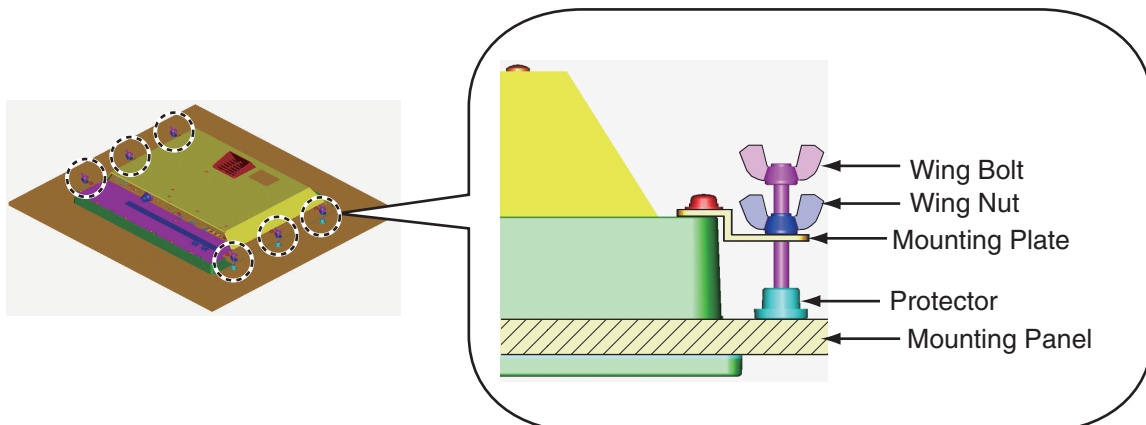
6. Fasten the flush mount fixture 19 to the right and left sides of the rear of the display unit with the washer head screws (6 places).



7. Fasten the wing bolts, in the order of the number shown in the figure below so that the protectors touch the mounting panel.



8. Fasten the wing bolts tightly, in the order shown in step 7.  
9. Fasten the wing nuts tightly.



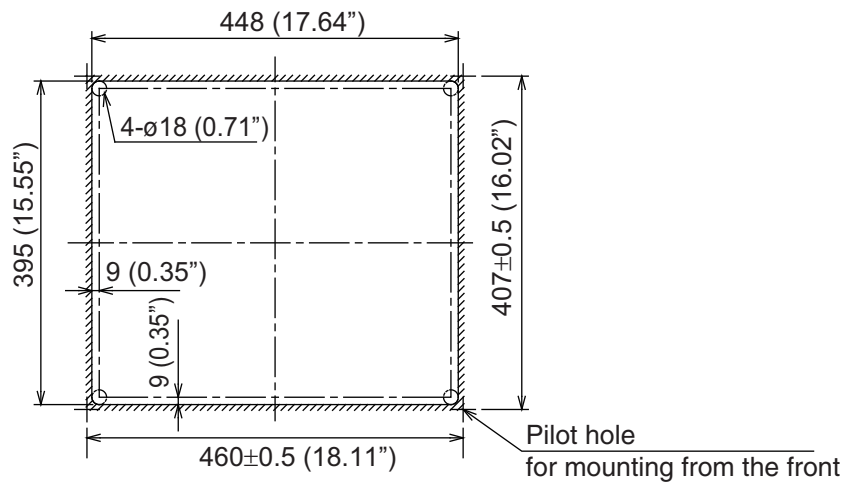
## 1.3 Flush Mounting, Fixed at Front

If you do not have the enough space to fix the display unit from the rear, you can fix it from the front with the Flush mount kit OP26-7 (option).

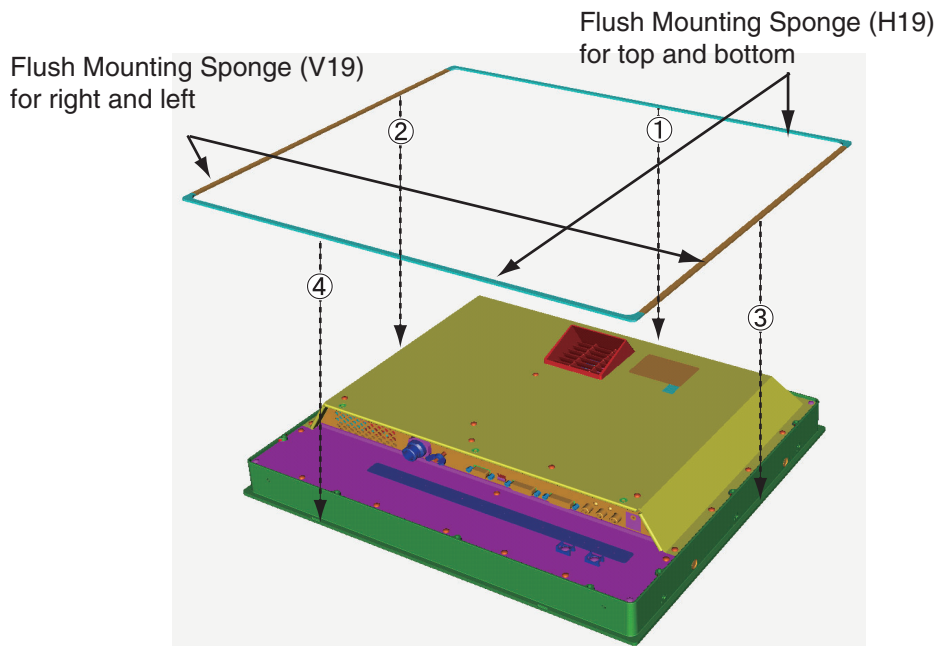
### *Flush Mount Kit OP26-7 (Code: 001-080-940)*

Name	Type	Code No.	Qty.
Flush Mounting Panel (19)	OP26-7-1	001-080-980-00	1
Washer Head Screw	M4x10	000-163-836-10	8
Self Tapping Screw	5x20	000-162-609-10	4
Flush Mounting Template	C42-00911	000-172-638-10	1

1. Make a cutout in the mounting location with the flush mounting template (included).

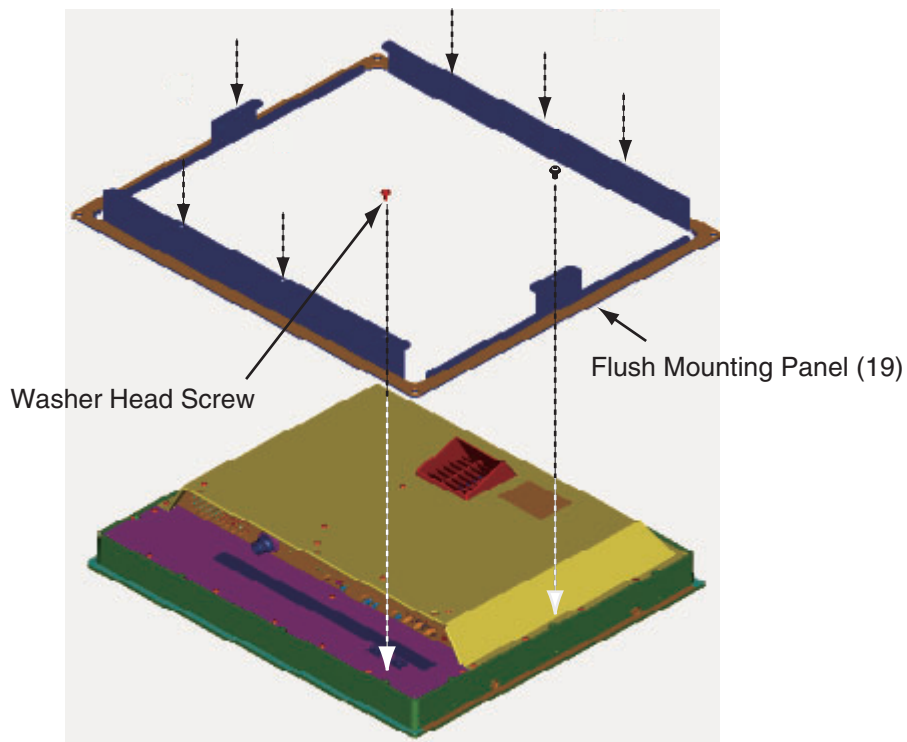


2. Attach the flush mounting sponges H19 and V19 in the order shown in the figure below.

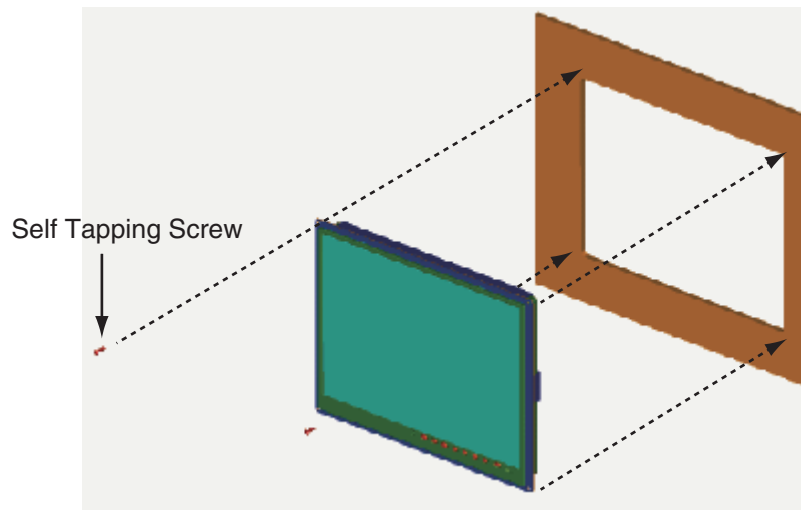


1. MOUNTING, WIRING

3. Attach the flush mounting panel to the display unit from the rear with the washer head screws (8 places).



4. Connect all cables at the back of the display unit. See section 1.7.
5. Set the display unit assembly prepared at the step 3 to the cutout for the mounting location.
6. Fix the display unit to the cutout with the self tapping screws (4 places).



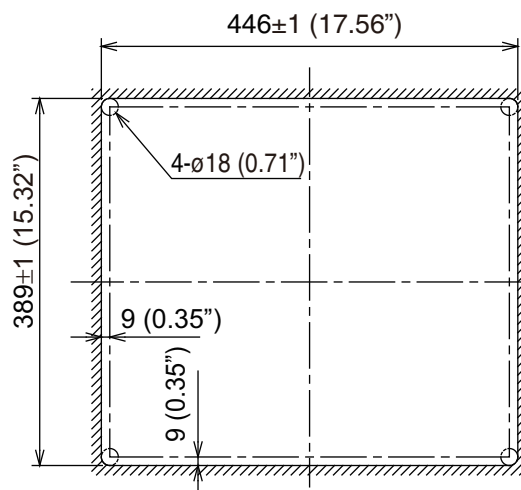
## 1.4 Flush Mounting, Fixed at Rear, with hood

You can attach a hood when flush mounting the unit from the rear, using the hood assembly OP26-6 (option).

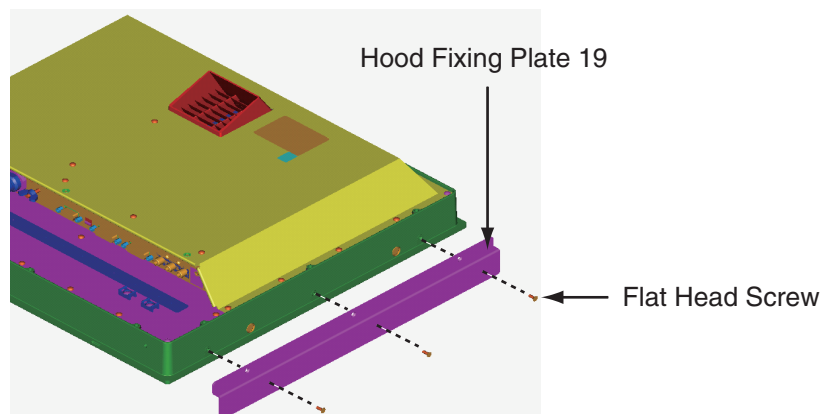
### Hood Assembly OP26-6 (Code: 001-080-930)

Name	Type	Code No.	Qty.
Hood (19) Assembly	OP26-6-1	001-080-970-00	1
Flush Mounting Sponge (V19)	26-005-3124	100-351-560-10	2
Hood Fixing Plate 19	26-005-3302	2	
F-Mount Hood Gasket 19	26-005-3305	100-351-620-10	2
Knob M4	03-163-2303	100-343-602-10	4
Flat Head Screw	M3x8	000-172-167-10	6
Flush Mounting Template	C42-00910	000-172-637-10	1

1. Make a cutout in the mounting location with the flush mounting template (included).



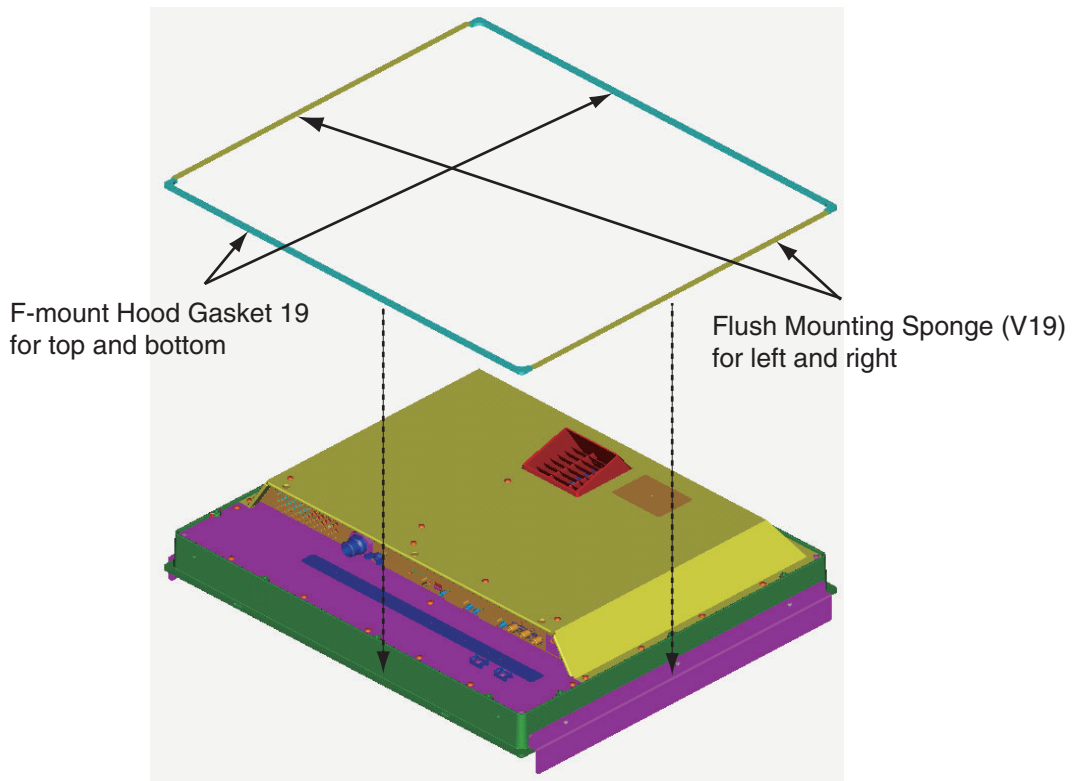
2. Fix the hood fixing plates to the right and left of the display unit with the flat head screws (6 places).



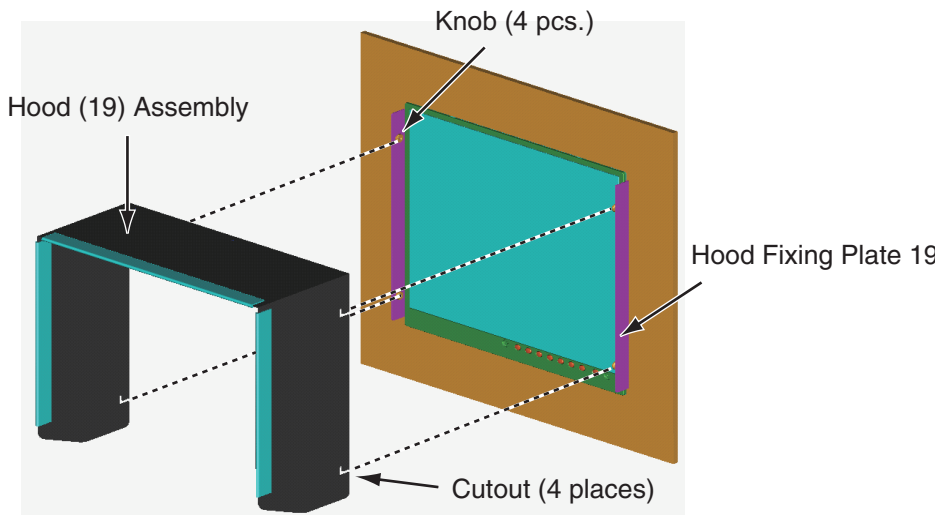


1. MOUNTING, WIRING

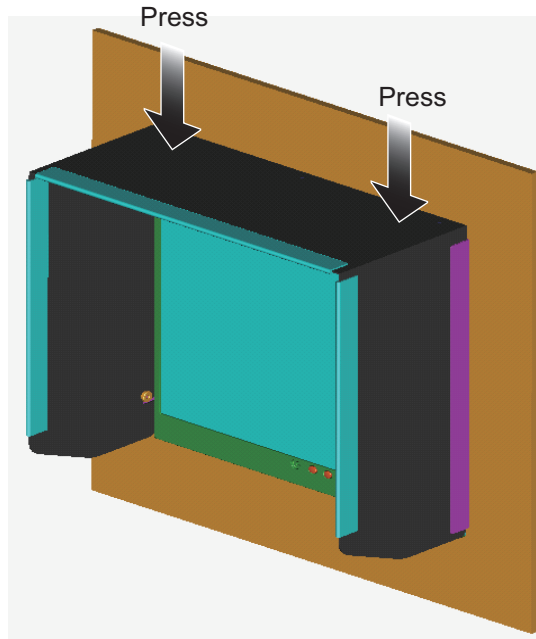
3. Attach the hood gaskets to the top and bottom brims. Then, attach the flush mounting sponge (V19) to the right and left brims, of the display unit from the rear side.



4. Follow steps 3 to 9 in section 1.2 to fix the display unit to the mounting location.  
5. Loosely fix the knobs (4 pcs.) to the hood fixing plate.  
6. Slide the cutouts of the hood assembly to the knobs.



7. Press the top of the hood to fit the knobs in the cutouts.



8. Fix the hood assembly with the knobs tightly (4 places).

## 1.5 Desktop Mounting

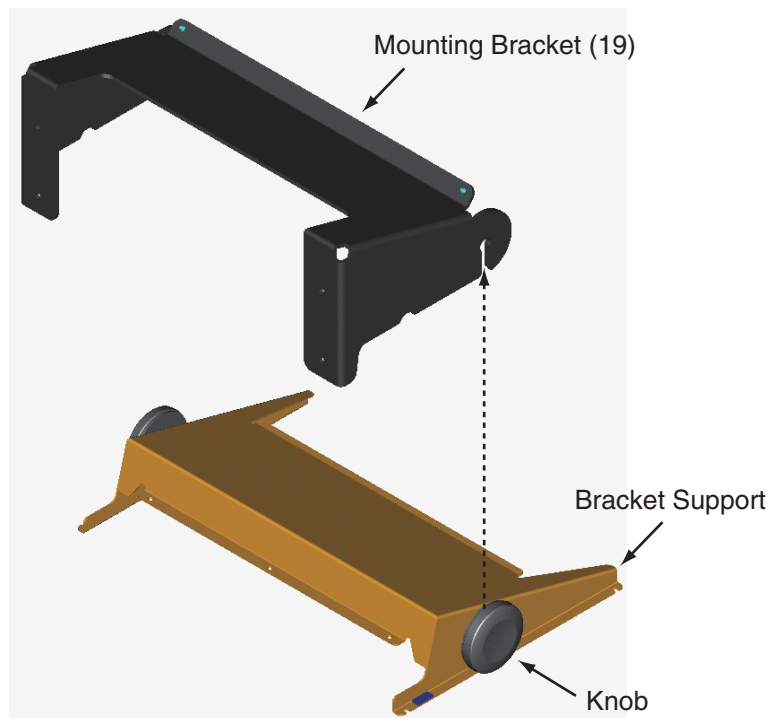
You can fix the display unit to a desktop, using the bracket assembly OP26-5 (option).

Bracket Assembly OP26-5 (Code: 000-016-270)

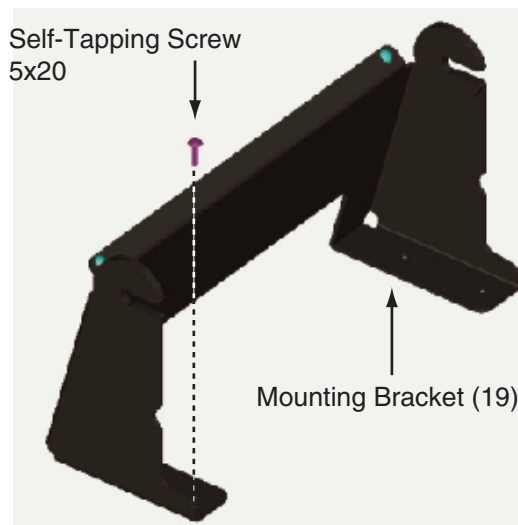
Name	Type	Code No.	Qty.
Mounting Bracket (19)	OP26-5-1	001-080-910-00	1
Bracket Support w/knobs	OP26-5-2	001-080-920-00	
Self-Tapping Screw	5x20	000-162-608-10	4
Binding Head Screw	M4x10	000-172-165-10	9

## 1. MOUNTING, WIRING

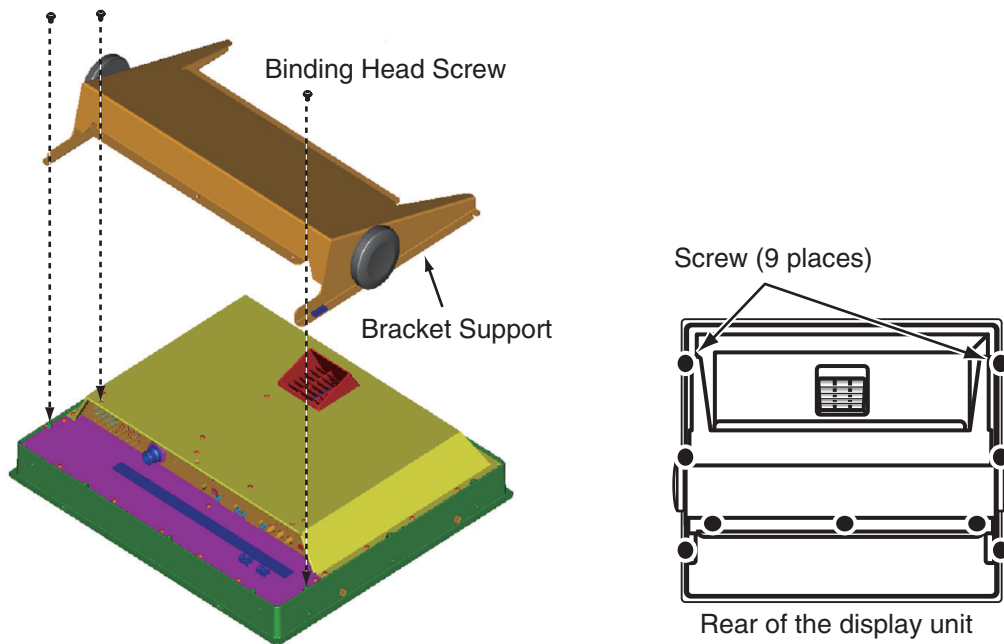
1. Loosen the knobs of the bracket support to separate the mounting bracket from the bracket support.



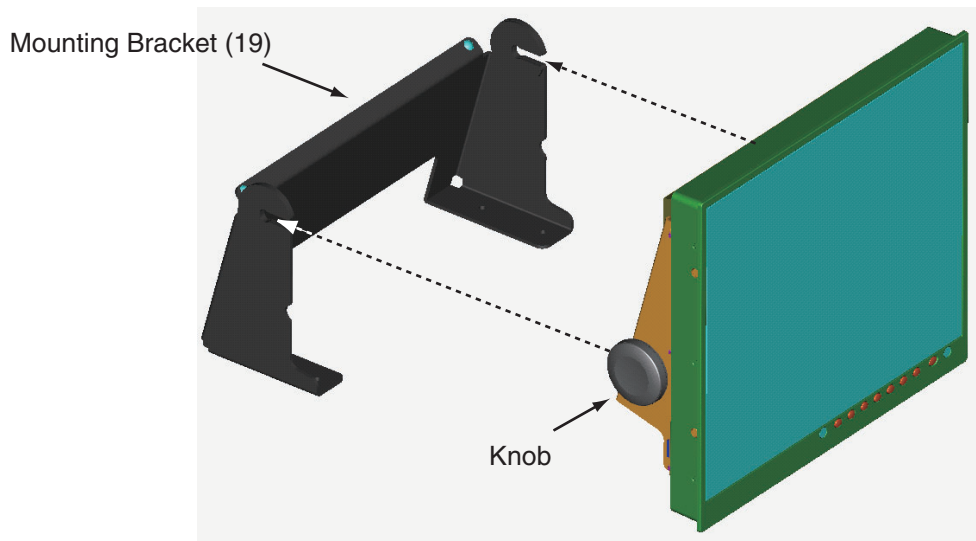
2. Set the mounting bracket to the mounting location with four self-tapping screws.



3. Attach the bracket support to the rear of the display unit with the binding head screws (9 places).



4. Connect all cables at the back of the display unit. See section 1.7.
5. Loosen the knobs of the bracket support and set them in the notches on the mounting bracket.

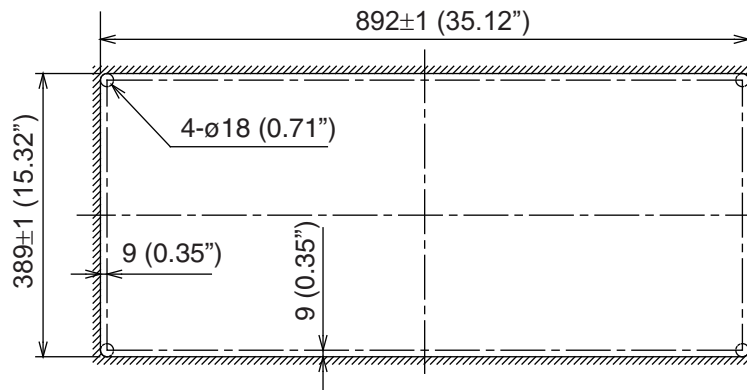


6. Adjust the angle of the display unit and fix the knobs tightly.

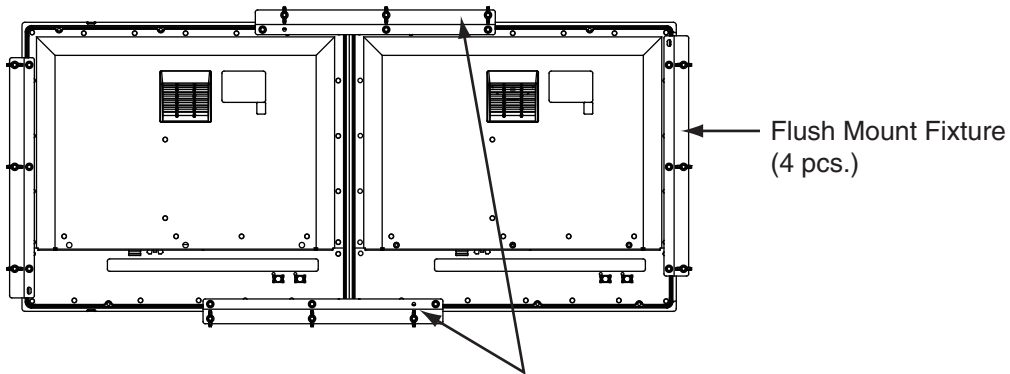
## 1.6 Flush Mounting a Series Side by Side

You can flush mount two display units side by side.

1. Make a cutout in the mounting location as shown below.



2. Follow steps 2 to 5 in section 1.2 to set the two display units in the mounting location.
3. Attach the flush mount fixtures with the washer head screws to join the two display units.



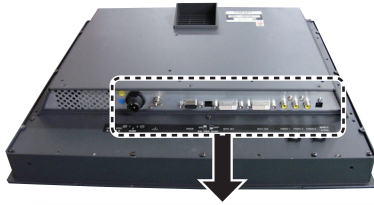
Join the display units with the flush mount fixtures.

4. Fasten the two display units tightly. See steps 7 to 9 in section 1.2.

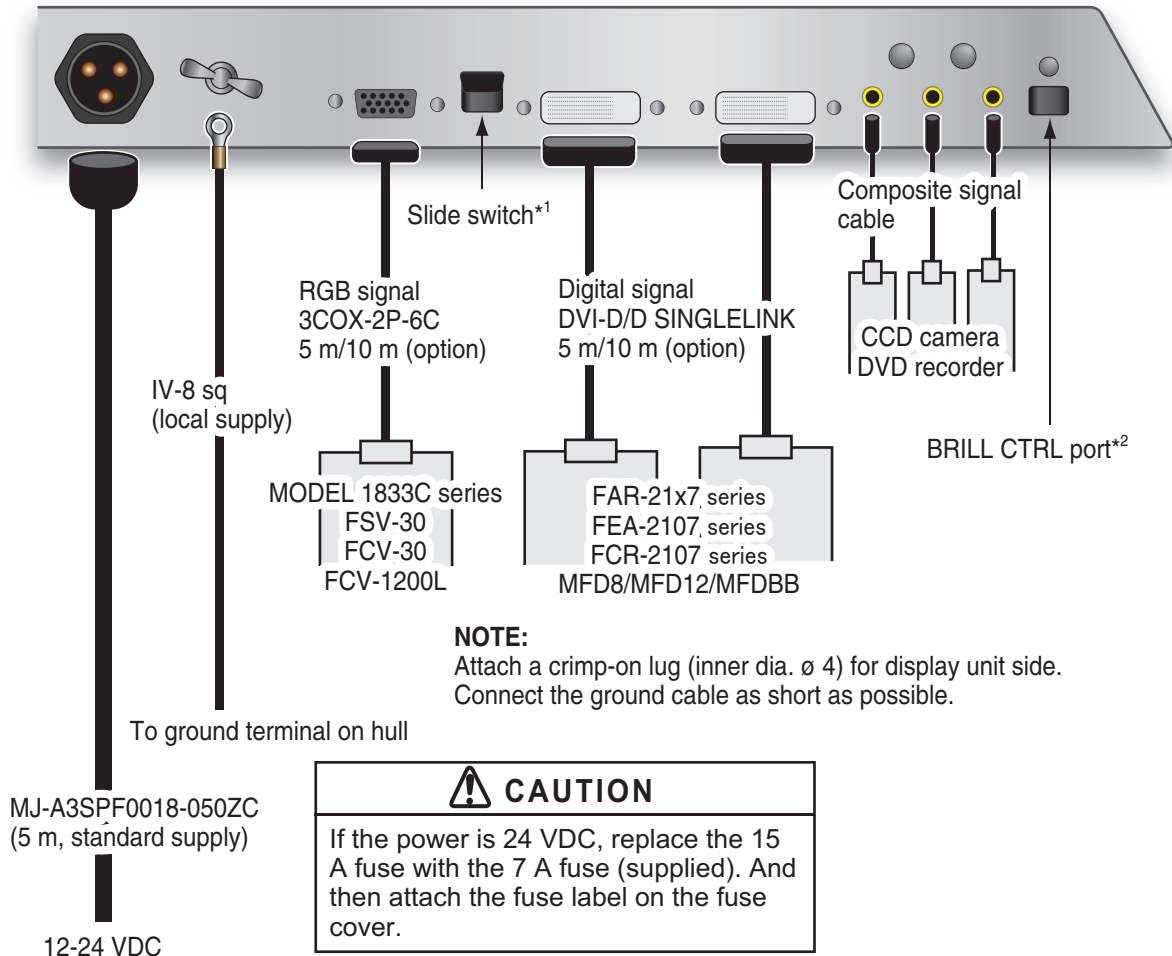
## 1.7 Wiring

Refer to figure below and the interconnection diagram at the back of this manual to connect cables.

### Connector



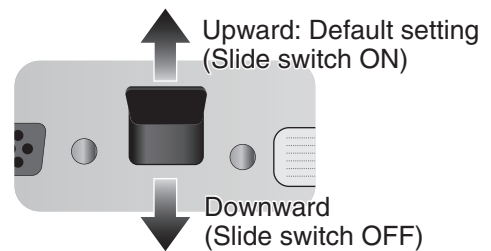
The bottom of the rear of the display unit



#### \*1: Slide switch

- ON (upward): Allow digital signal from external equipment to control on/off of the display unit.
- OFF (downward): Set this position for analog RGB signal.

**Note:** Turn the slide switch off when you connect equipments to both the DVI and RGB ports.



#### \*2: BRILL CTRL port

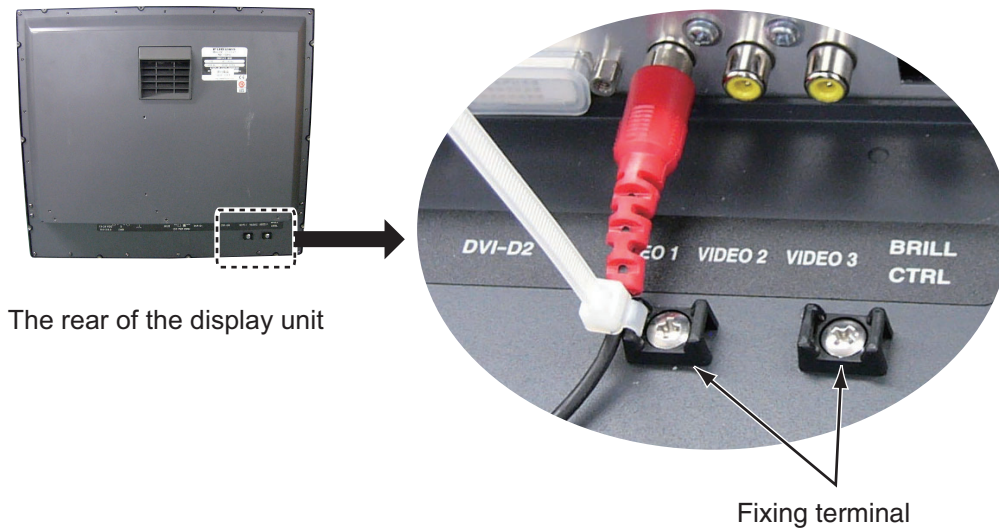
This is not available. Please do not remove the sticker on the connector.

## 1. MOUNTING, WIRING

### **How to fix composite signal cable**

Fix the cables for the composite signal at the fixing terminal with the cable tie to prevent a loose connection.

1. Pass the cable tie (supplied) through the side of the fixing terminal.
2. Set the cable in the cable tie and pull the tie.
3. Cut off the excess cable tie with nippers.



The rear of the display unit

Fixing terminal

## 2. ADJUSTMENTS

Adjust the MU-190HD according to the equipment connected.

### 2.1 RGB/DVI Setting

You can adjust the screen from the [RGB], [DVI-D1] and [DVI-D2] ports separately. Turn on external equipment and adjust the display unit as follows.

1. Select the signal to adjust at the DISP selection window. See section 3.4.
  - 1) Press the **DISP** key.
  - 2) Press the **DISP** key again to select [RGB], [DVI1] or [DVI2].
2. Press the **MENU** key to show the menu.

The main menu closes automatically when there is no operation for one minute.
3. Press the ◀ or ▶ key to select [RGB], [DVI1] or [DVI2].

The current setting (the cursor) is shown in orange. The menu items depend on the selected menu. The same items are contained on [DVI1] and [DVI2] setting menus.

**Note:** The menus in grey are not available because of no signal.

RGB	DVI1	DVI2	VIDEO1	VIDEO2	VIDEO3	OSD	SYSTEM
H_SIZE			640				
V_SIZE			480				
PHASE			16	(1~32)			
CONTRAST			32	(1~64)			
H_POSITION			50	(1~99)			
V_POSITION			20	(1~40)			
R_LEVEL			31	(1~64)			
G_LEVEL			31	(1~64)			
B_LEVEL			31	(1~64)			
TEMPERATURE			7000K	(5500K/6500K/7000K/8000K)			
B_STRETCH			OFF	(OFF, 1~10)			
W_STRETCH			OFF	(OFF, 1~10)			
DISP MODE			FULL	(FULL/NORMAL)			
SHARPNESS			5	(1~10)			

*RGB setting menu*

RGB	DVI1	DVI2	VIDEO1	VIDEO2	VIDEO3	OSD	SYSTEM
CONTRAST			32	(1~64)			
H_POSITION			25	(1~50)			
V_POSITION			20	(1~40)			
R_LEVEL			31	(1~64)			
G_LEVEL			31	(1~64)			
B_LEVEL			31	(1~64)			
TEMPERATURE			7000K	(5500K/6500K/7000K/8000K)			
B_STRETCH			OFF	(OFF, 1~10)			
W_STRETCH			OFF	(OFF, 1~10)			
DISP MODE			FULL	(FULL/NORMAL)			
SHARPNESS			1	(1~10)			

*DVI setting menu*

4. Press the ▲ or ▼ key to select the menu item to adjust.



## 2. ADJUSTMENTS

5. Press the ◀ or ▶ key to adjust the setting.
6. Press the **MENU** key to close the menu.

### RGB/DVI menu descriptions

Menu item	Function	Setting
H_SIZE	Adjusts the image size horizontally. Horizontal size: ◀ (narrow), ▶ (wide)	Depending on input signal
V_SIZE	Adjusts the image size vertically. Vertical size: ◀ (narrow), ▶ (wide)	
PHASE**	Adjusts the sample timing so that the flicker disappears and the text is clear.	1 to 32
CONTRAST	Increases or decreases the contrast level. ◀ (darken), ▶ (brighten)	1 to 64
H_POSITION	Moves the image position horizontally. ◀ (leftward), ▶ (rightward)	1 to 99 (RGB), 1 to 50 (DVI1, DVI2)
V_POSITION	Moves the image position vertically. ◀ (upward), ▶ (downward)	1 to 40
R_LEVEL	Adjusts the red color level. ◀ (weaken), ▶ (strengthen)	1 to 64
G_LEVEL	Adjusts the green color level. ◀ (weaken), ▶ (strengthen)	1 to 64
B_LEVEL	Adjusts the blue color level. ◀ (weaken), ▶ (strengthen)	1 to 64
TEMPERATURE	Adjusts the color temperature. 5500K (the most reddish), 8000K (the most bluish)	5500K, 6500K, 7000K, 8000K
B STRETCH	Emphasizes the black color. [OFF] (standard), ◀ (weaken), ▶ (strengthen)	OFF, 1 to 10
W STRETCH	Emphasizes the white color. [OFF] (standard), ◀ (weaken), ▶ (strengthen)	OFF, 1 to 10
DISP MODE*	Selects the displaying method. [FULL]: Shows the input signal on entire screen. [NORMAL]: Shows the input signal with original aspect ratio.	FULL, NORMAL
SHARPNESS**	Sharpens the edge horizontally. ◀ (soften characters and lines), ▶ (sharpens characters and lines)	1 to 10

\*: When inputting VGA, SVGA or XGA, a circle may be displayed as an ellipse because the aspect ratio differs. In this case, select [NORMAL] from the [DISP MODE] menu item on the [RGB], [DVI1], or [DVI2] menus. The top and bottom on the screen are left blank, but this is normal.

\*\* : If the characters are not clear, adjust [PHASE] and [SHARPNESS].

## 2.2 Video Composite Signal Setting

You can adjust the VIDEO1, 2 or 3 signal from the VIDEO1, VIDEO2 and VIDEO3 ports separately. The VIDEO1, 2 or 3 signal is displayed in the PIP window also.

1. Select the signal to adjust at the DISP selection window.
2. Press the **MENU** key to show the menu.
3. Press the ◀ or ▶ key to select [VIDEO1], [VIDEO2] or [VIDEO3].  
The same items are contained on [VIDEO1], [VIDEO2] and [VIDEO3] setting menus.

RGB	DVI1	DVI2	VIDEO1	VIDEO2	VIDEO3	OSD	SYSTEM
PIP_SIZE			5	(1~10)			
CONTRAST			32	(1~64)			
R_LEVEL			31	(1~64)			
G_LEVEL			31	(1~64)			
B_LEVEL			31	(1~64)			
TEMPERATURE		7000K		(5500K/6500K/7000K/8000K)			
B STRETCH			OFF	(OFF, 1~10)			
W STRETCH			OFF	(OFF, 1~10)			

*[VIDEO1] (2 or 3) setting menu*

4. Press the ▲ or ▼ key to select the menu item to set.
5. Press the ◀ or ▶ key to adjust the setting.
6. Press the **MENU** key to close the menu.

### VIDEO menu descriptions

Menu item	Function	Setting
PIP_SIZE	Adjusts the size of picture-in-picture window. <b>Note:</b> This setting is available when the PIP window is displayed.	1 (52 mm x 35 mm) to 10 (285 mm x 194 mm)
CONTRAST	Increases or decreases the contrast level.	1 to 64
R_LEVEL	Adjusts the red color level.	1 to 64
G_LEVEL	Adjusts the green color level.	1 to 64
B_LEVEL	Adjusts the blue color level.	1 to 64
TEMPERATURE	Adjusts the color temperature.	5500K, 6500K, 7000K, 8000K
B STRETCH	Emphasizes the black color.	OFF, 1 to 10
W STRETCH	Emphasizes the white color.	OFF, 1 to 10

(Refer to "RGB/DVI menu descriptions" on page 17.)

## 2.3 The Menu Window Setting

### 2.3.1 How to adjust the menu window

You can adjust the position and transparency of the menu window on the [OSD] (On Screen Display) menu.

1. Press the **MENU** key to show the menu.
2. Press the ◀ or ▶ key to select [OSD].

RGB	DVI1	DVI2	VIDEO1	VIDEO2	VIDEO3	OSD	SYSTEM
H_POSITION			14	(1~29)			
V_POSITION			33	(1~37)			
TRANSLUCENT			OFF	(OFF/ON)			
PIP SW TIME			OFF	(OFF, 5~20)			
PIP SKIP			OFF	(OFF, V1/V2/V3)			
CUSTOM NAME							
RGB	=	RGB	_____				
DVI1	=	DVI1	_____				
DVI2	=	DVI2	_____				
VIDEO1	=	VIDEO1	_____				
VIDEO2	=	VIDEO2	_____				
VIDEO3	=	VIDEO3	_____				

*OSD menu*

3. Press the ▲ or ▼ key to select the menu item to set.
4. Press the ◀ or ▶ key to adjust the setting.
5. Press the **MENU** key to close the menu.

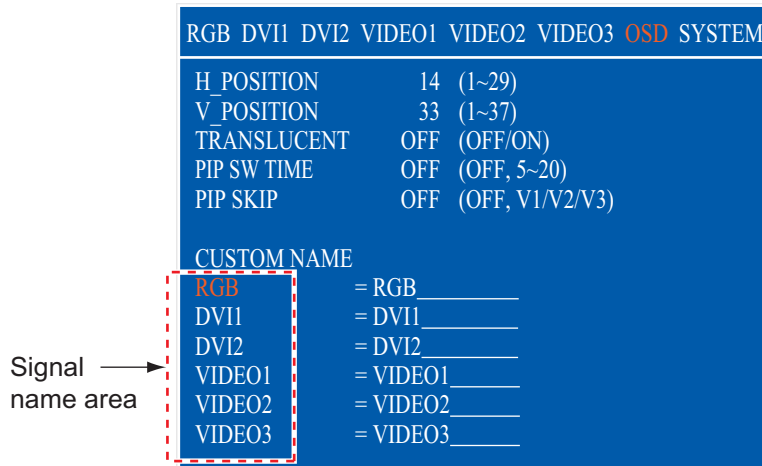
OSD menu description

Menu item	Function	Setting
H_POSITION	Moves the menu window horizontally. ◀ (leftward), ▶ (rightward)	1 to 29
V_POSITION	Moves the menu window vertically. ◀ (upward), ▶ (downward)	1 to 37
TRANSLUCENT	Adjusts the transparency of the background color on the menu window. [OFF]: Blue, [ON]: Translucent <b>Note: Alpha blending technology is used for transparency effects.</b>	OFF, ON
PIP SW TIME	Switches the screen image on the PIP window among VIDEO1, VIDEO2 and VIDEO3 at the interval (5 to 20 seconds) selected here. When [OFF] is selected, this function is not available.	OFF, 5 to 20
PIP SKIP	Selects which video signals to skip in the PIP window when PIP SW TIME is active. OFF: VIDEO1, VIDEO2 and VIDEO3 are shown in turn. V1: VIDEO1 is skipped. VIDEO2 and VIDEO3 are shown alternately. V2: VIDEO2 is skipped. VIDEO1 and VIDEO3 are shown alternately. V3: VIDEO3 is skipped. VIDEO1 and VIDEO2 are shown alternately.	OFF, V1, V2, V3
CUSTOM NAME	See paragraph 2.3.2.	

### 2.3.2 How to change the signal name

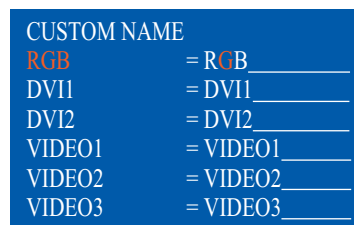
You can change the signal name (“RGB”, “DVI1” or “VIDEO1” etc.) to a name (ex. the equipment name) which is easy to understand. The changed name is shown in the DISP selection window, PIP selection window and the indication shown at the upper right of the screen. See section 3.4 and section 3.5

1. Press the **MENU** key to show the main menu.
2. Press the ◀ or ▶ key to select [OSD].



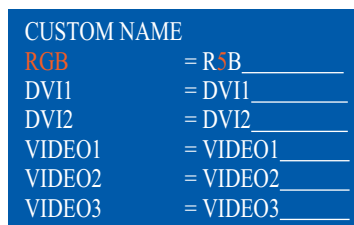
*Signal name area*

3. Press the ▲ or ▼ key to select the signal to change its name in the signal name area. In the example above, RGB is selected.
4. Press the ▶ key to select the character to change. In the example below, “G” of RGB is selected.



5. Press the ▲ or ▼ key to select appropriate alphanumeric character. In the example below, “5” is selected.

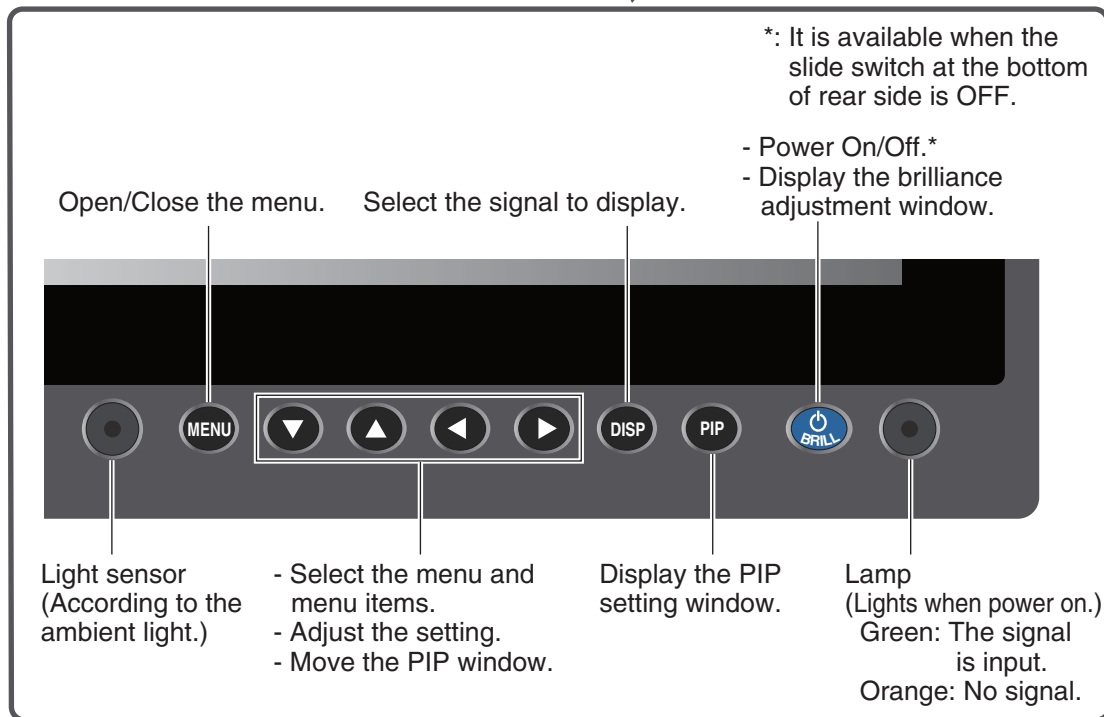
You can set up to ten characters. “A to Z”, “0 to 9”, “-”, “.”, “ ” (space) are available.



6. To change another signal name, press the ◀ key several times to return the cursor to the signal name area. Repeat steps 3 to 5.
7. Press the **MENU** key to close the menu.

# 3. OPERATION

## 3.1 Controls



## 3.2 How to Turn the Power On/Off

This section shows how to turn on/off the display unit and the key lock function.

### 3.2.1 Turn on/off the power

How to turn on/off the power depends on the setting of the slide switch. The slide switch is set when the display unit is installed. See section 1.7.

**Note:** The screen refreshes slower in low temperature ambient.

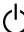
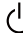
#### Slide switch “ON”

The external equipment connected to the DVI port (DVI-D1 or DVI-D2) can power on/off the display unit.

**Note 1:** You can not turn on the power with the /BRILL key on MU-190HD.

**Note 2:** When you connect the cables to both DVI-D1 and DVI-D2 ports, turn off the power of the both equipments to turn off the display unit.

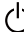
#### Slide switch “OFF”

1. Press the /BRILL key to turn on the display unit.
2. Press and hold the /BRILL key for three seconds to turn off the display unit. While you hold the key, the display shown right appears.



SHUT DOWN  
This monitor will shut down in three seconds.

### 3.2.2 Lock the operation

You can lock the display unit to prevent operation. Any key (except the /BRILL key) will be inoperative.

1. While you hold the **PIP** key, turn on the display unit. Press and hold the **PIP** key for more than five seconds.  
**Note:** When the slide switch is “ON”, turn on the connected external equipment while pressing the **PIP** key to turn on the display unit.
2. To cancel the lock, turn off the display unit and then turn it on while you hold the **PIP** key. Press and hold the **PIP** key more than five seconds.

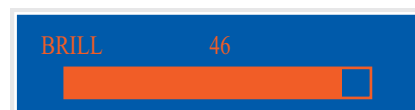
## 3.3 How to Adjust the Display Brilliance

You can adjust the display brilliance as follows:

**Note:** The auto dimmer must be off to use this feature. See paragraph 3.6.1.

1. Press the /BRILL key momentarily to show the BRILL adjustment window.

The window shown right disappears if there is no operation for five seconds.



### 3. OPERATION

2. Press the ◀ or ▶ key to adjust the brilliance (available range: 1 to 50).

You can also adjust the brilliance by pressing the ⏻/BRILL key repeatedly.

3. Press the ▲ or ▼ key to close the window.

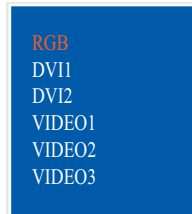
**Note 1:** If you turn off the display unit with the minimum brilliance, you may become difficult to watch the screen because of the ambient light at the next start. In this case, press the ⏻/BRILL key repeatedly.

**Note 2:** When you use the display unit for FAR-21x7 series, you can adjust the brilliance from the FAR-21x7 series. (see paragraph 3.6.2.)

## 3.4 How to Select the Source for Main Picture

Select the signal to display on the entire screen as follows:

1. Press the **DISP** key to show the DISP selection window.  
The signal names are shown as you customized at paragraph 2.3.2 on the window. This window disappears if there is no operation for five seconds.

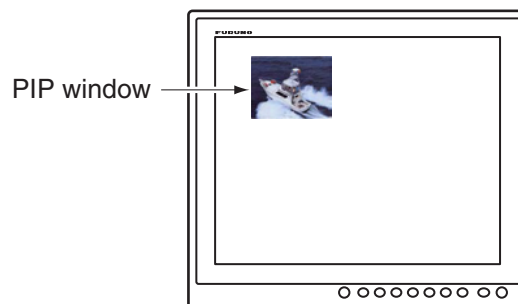


*DISP selection window (Default setting)*

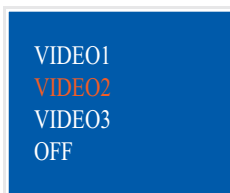
2. Press the ▲ or ▼ key to select a signal.  
You can also select the signal by pressing the **DISP** key continuously.  
[RGB]: The signal from the RGB port is displayed.  
[DVI1], [DVI2]: The signal from the selected DVI port is displayed.  
[VIDEO1] - [VIDEO3]: The external video from the selected VIDEO port is displayed.
3. Press the ◀ or ▶ key to close the window.  
The name of the selected signal appears at the right top corner for five seconds after the DISP selection window disappears. If there is no signal, "NO SIGNAL" appears.

## 3.5 How to Select the Source for the PIP Window

Select the source for the PIP (picture-in-picture) window as follows. The PIP window is available on the RGB, DVI1 or DVI2 display.



- When the RGB, DVI1 or DVI2 display appears, press the **PIP** key.  
The PIP selection window appears. The signal names are shown as you customized at paragraph 2.3.2 on the window. This window disappears if there is no operation for five seconds.



*PIP selection window (Default setting)*

- Press the ▲ or ▼ key to select the VIDEO port required.  
[VIDEO1] (2 or 3) can also be selected by pressing the **PIP** key continuously. When you select the [VIDEO1], [VIDEO2] or [VIDEO3], the PIP window is displayed. To close the PIP window, select [OFF].
- Press the ◀ or ▶ key to close the PIP setting window.
- You can move the PIP window by pressing the arrow keys when the menu is closed.

**Note 1:** To show the VIDEO1, VIDEO2 and VIDEO3 pictures alternately, set the cycle time (5 -20 sec) with [PIP SW TIME] on the [OSD] menu. In this case, the above setting is invalid. See paragraph 2.3.1.

**Note 2:** You can adjust the size of the PIP window on the [VIDEO1] (2 or 3) menus. See section 2.2.

## 3.6 SYSTEM Menu

You can set the brilliance control and clear the memory on the [SYSTEM] menu. Also, you can check the signal status and the program number on the [SYSTEM] menu.

### 3.6.1 How to set the auto dimmer

The auto dimmer feature automatically adjusts the brilliance according to lighting conditions detected by the light sensor on the front panel. Also, you can select the interval in which the brilliance is adjusted.

**Note:** Do not put any objects in front of the light sensor.

- Press the **MENU** key to show the main menu.
- Press the ▶ key to select [SYSTEM].

The message "Input Signal Searching. Please Wait." is displayed and then the [SYSTEM] menu shown right is displayed.

Signal status  
and Program  
number →

RGB	DVI1	DVI2	VIDEO1	VIDEO2	VIDEO3	OSD	SYSTEM
AUTO DIMMER	OFF	(OFF, 1~5)					
EXT BRILL CTRL	OFF	(OFF / DVI1 / DVI2 / USB)					
DEFAULT RESET	NO						
INFORMATION							
RGB	: 1280*1024	Fh : 80kHz	Fv : 75Hz				
DVI1	: 640*480	Fh : 31kHz	Fv : 60Hz				
DVI2	: NO SIGNAL						
VIDEO1	: NTSC						
VIDEO2	: PAL						
VIDEO3	: NO SIGNAL						
PROGRAM NO.	: X.XX						



### 3. OPERATION

3. Press the ▲ or ▼ key to select [AUTO DIMMER].
4. Press the ◀ or ▶ key to select the adjustment interval.  
[OFF]: Not adjusted automatically      [3]: Every minute  
[1]: Every two seconds                      [4]: Every three minutes  
[2]: Every 30 seconds                        [5]: Every five minutes
5. Press the **MENU** key to close the menu.

### 3.6.2 How to adjust the brilliance from the external equipment

When FAR-21x7 series is connected to the [DVI-D1] or [DVI-D2] port, you can adjust the brilliance of the display unit from the FAR-21x7 series connected.

**Note:** The auto dimmer must be off to use this feature.

1. Press the **MENU** key to show the main menu.
2. Press the ▶ key to select [SYSTEM].
3. Press the ▲ or ▼ key to select [EXT BRILL CTRL].
4. Press the ◀ or ▶ key to set the desired input item.  
[OFF]: You can not adjust the brilliance from the external equipment.  
[DVI1]: When the DVI1 is displayed, the brilliance signal from DVI-D1 port controls this display's brilliance. The ⏻/BRILL key is available for the screen other than the DVI1.  
[DVI2]: When the DVI2 is displayed, the brilliance signal input from DVI-D2 port controls this display's brilliance. The ⏻/BRILL key is available for the screen other than the DVI2.  
[USB]: This is not available.
5. Press the **MENU** key to close the menu.

### 3.6.3 How to clear the memory

You can clear the memory to restore the default settings.

1. Press the **MENU** key to show the main menu.
2. Press the ▶ key to select [SYSTEM].
3. Press the ▲ or ▼ key to select [DEFAULT RESET].
4. Press the ▶ key.  
The display is changed to "YES" from "NO".



**Note:** To cancel, press the ◀ key. The display is changed to "NO" from "YES".

5. Press the ▶ key to select "reset".

# 4. MAINTENANCE, TROUBLESHOOTING

---

## NOTICE

**Do not apply paint, anti-corrosive sealant or contact spray to coating or plastic parts of the equipment.**

Those items contain organic solvents that can damage coating and plastic parts, especially plastic connectors.

## 4.1 Maintenance

### Routine maintenance

Regular maintenance is important for good performance. Check the following on a regular basis to keep the equipment in good condition.

- Check that the connectors at the bottom of the display unit are tightly fastened.
- Check the ground wire and ground terminal for rust. Clean if necessary. Confirm that the ground wire is tightly fastened.
- Remove dust and dirt from the display unit with a dry, soft cloth. Do not use chemical cleaners to clean any part of the display unit. They can remove paint and markings.
- Wipe the LCD carefully to prevent scratching, using LCD cleaning cloth (supplied as accessory). To remove dirt or salt deposits, use an LCD cleaner, wiping slowly with tissue paper so as to dissolve the dirt or salt. Change paper frequently so the salt or dirt will not scratch the LCD. Do not use solvents such as thinner, acetone or benzene for cleaning. Also, do not use degreaser or antifog solution, as they can strip the coating from the LCD.

### Fuse replacement

The fuse in the fuse holder on the power cable protects the equipment from internal fault. If the fuse blows, find the cause before you replace it. If the fuse blows again after replacement, request service.



## WARNING

**Use the proper fuse.**

Use of a wrong fuse can cause fire or damage to the equipment.

Name	Type	Code Number	Remarks
Fuse	FGBO 125V 15A PBF	000-155-827-10	12 VDC
Fuse	FGBO-A 125V 7A PBF	000-164-965-10	24 VDC

#### 4. MAINTENANCE, TROUBLESHOOTING

##### **LCD replacement**

The life of the LCD is approximately 50,000 hours. The actual numbers of hours depends on ambient temperature and humidity. When the brilliance cannot be raised sufficiently, replace the LCD.

##### **Fan replacement**

The life of the each fan is shown in the table below.



Item	Life
FAN1, FAN3	approximately 40,000 hours
FAN2	approximately 60,000 hours

The actual numbers of hours depends on ambient temperature. When the fan cannot be rotated sufficiently, the message "FAN1(2 or 3) ERROR" is shown. Turn off the power and contact your dealer to request replacement of the fan.

## 4.2 Troubleshooting

See the following table to find the possible causes and the actions to restore normal operation. If repair of the equipment is necessary, report the result of the troubleshooting to the service technician.

### Troubleshooting

Case	Remedy
You can not turn on the power.	<ul style="list-style-type: none"><li>• Check the setting for the slide switch. See section 1.7.</li><li>• Check the battery voltage with a multimeter.</li><li>• Check the fuse on the power cable.</li><li>• Fasten the power cable tightly.</li></ul>
You can not turn off the power.	<ul style="list-style-type: none"><li>• Press and hold the /BRILL key for eight seconds.</li><li>• When the slide switch is set to ON, turn off the external equipment connected.</li></ul>
No picture	<ul style="list-style-type: none"><li>• Fasten the cables tightly.</li><li>• Check the input signal. See section 3.6.</li></ul>
You can not operate any key except the  /BRILL key.	Cancel the key lock function. See paragraph 3.2.2.

**SPECIFICATIONS OF MARINE DISPLAY  
MU-190HD**

**1 GENERAL**

1.1	Display	19-inch color LCD
1.2	Effective area	376 x 301 mm approx.
1.3	Resolution	SXGA (1280 x 1024)
1.4	Brightness	1,000 cd/m <sup>2</sup> typical
1.5	Contrast	900: 1
1.6	View angle	160° typical (left/right and up/down: 80° or more)
1.7	Input signal	
	RGB analog	1 port, Non-interlace, RGB signal: 0.7 Vp-p, Sync. signal: TTL level
	DVI-D	2 port, DVI-standard, VESA DDC2B
	Composite	3 port, NTSC/PAL-standard, Video signal: 0.7 Vp-p

**2 POWER SUPPLY**

12-24 VDC: 8.4-3.9 A

**3 ENVIRONMENTAL CONDITION**

3.1	Ambient temperature	-15°C to +55°C
3.2	Relative humidity	93% at 40°C
3.3	Degree of protection	IP56 (CFR46, front panel), IP22 (chassis)
3.4	Vibration	IEC 60945-4

**4 UNIT COLOR**

N2.5

# 重要なお知らせ



---

- 取扱説明書の一部または全部の転載、複写は著作権者である当社の許諾が必要です。無断転載することを固くお断りします。
- 製品の仕様ならびに取扱説明書の内容は予告なく変更することがあります。
- 画面に表示される内容は、システムの設定や動作状態によって異なります。したがって、本書内に掲載してあるイラストは画面の表示と異なる場合があります。
- お客様が本書の内容に従わずに本機または本ソフトウェアを取り扱われたり、または当社および当社指定の者以外の第三者により改造・変更されることに起因して生じる障害等については、当社は責任を負いかねますのでご了承ください。
- お買い上げの機器を廃棄するときは、産業廃棄物として地方自治体の条例または規則に従って処理してください。詳しくは、各地方自治体に問い合わせてください。
- 本マニュアルに記載されている社名、製品名は、一般に各開発メーカーの登録商標または商標です。

# ⚠ 安全にお使いいただくために







[必ずお守りください]



お使いになる人や他の人への危害、財産への損害を未然に防止するため、以下のことを必ずお守りください。表示内容を見逃して誤った使い方をしたときに生じる危害や損害の程度を、本書では次の表示で区分し、説明していますので十分に気をつけてください。




 <b>警告</b>	この表示は「取扱いを誤った場合、死亡または重傷を負う可能性が想定される」内容です。
 <b>注意</b>	この表示は「取扱いを誤った場合、中程度または軽傷の傷害、あるいは財産への損害を負う可能性が想定される」内容です。

 「注意喚起」の内容	 「禁止」の内容	 「強制」の内容
---	---	---

## 取扱い上の安全事項


 <b>警告</b>
 機器内部に金属や水、異物が入ったときは、ただちに配電盤の電源スイッチを切ること。 火災、感電の原因になります。
 発煙、発火のときは、速やかに配電盤の電源スイッチを切ること。 火災、感電の原因になります。必ず、お買い上げ先へ連絡してください。
 分解・改造は絶対しないこと。 火災、感電、ケガの原因になります。
 異常を感じたときは、速やかに配電盤の電源スイッチを切ること。 使用中に機器が異常に熱くなったり、異常な音がするときは速やかに配電盤の電源スイッチを切り、お買い上げ先へ連絡してください。
 ヒューズは指定のものを使用すること。 指定外のものを使った場合、重大な事故や火災を引き起こす原因になります。


 <b>警告</b>
 排気孔と吸気孔の周辺には物を置かないこと。 火災の原因になります。

 <b>注意</b>
 電源を入れた状態で、信号ケーブルコネクタの抜き差しを行わないでください。 表示器が故障する恐れがあります。
 液晶パネルはガラスでできていますので、強い力や衝撃を加えないでください。 ガラスが割れて、ケガの原因となる場合があります。


## 装備上の安全事項

### 警告


 機器を装備する前に、必ず配電盤の電源スイッチを切っておくこと。  
火災、感電の原因になります。

 水しぶきや雨の当たるところには装備しないこと。  
火災、感電、故障の原因になります。

### 注意

 次のコンパス安全距離を確保してください。  
コンパス安全距離を確保しないと、安全な操船ができない場合があります。

標準コンパス	操舵コンパス
1.05m	0.65m

 ハードカバーを付けた状態で表示器を持ち上げる場合は、表示器本体とハードカバーを一緒に持ち上げてください。  
ハードカバーだけを持つと表示器本体が落下し、ケガをする恐れがあります。

## TFT液晶パネルについて

TFT液晶パネルは、非常に精密度の高い技術で作られており99.99%以上が有効画素ですが、0.01%以下の画素欠けや常時点灯する画素が存在します。また、視野角の制限、画面ちらつきがあります。これらは故障ではありませんので、あらかじめご了承ください。

# 目次

はじめに.....	v
システム構成.....	vi
構成表.....	vii
1章 取付けと結線.....	1
1.1 準備.....	1
1.2 標準構成での取付け（埋込み背面留め）.....	3
1.3 埋込み前面留め（オプション）.....	6
1.4 フード付き埋込み背面留め（オプション）.....	8
1.5 卓上取付け（オプション）.....	10
1.6 横並び連結取付け（埋込み背面留め）.....	13
1.7 結線.....	14
2章 装備後の調整.....	16
2.1 RGB、DVI1、DVI2 画面の設定.....	16
2.2 VIDEO1、VIDEO2、VIDEO3 画面の設定.....	18
2.3 メニュー表示の設定.....	19
2.3.1 メニューを調整する.....	19
2.3.2 信号名を変更する.....	20
3章 操作.....	21
3.1 操作パネルの説明.....	21
3.2 電源のオン／オフ.....	22
3.2.1 電源をオン／オフする.....	22
3.2.2 キーをロックする.....	22
3.3 輝度の調整.....	23
3.4 入力信号の選択.....	23
3.5 PIP ウィンドウ内の入力信号の選択.....	24
3.6 システムメニュー.....	25
3.6.1 自動調光機能をオン／オフする.....	25
3.6.2 外部機器から輝度を調整する.....	25
3.6.3 設定を初期化する.....	26
4章 保守点検およびトラブルシューティング.....	27
4.1 保守点検.....	27
4.2 故障かなと思ったら.....	28
仕様.....	SP-1
工事材料表.....	A-1
外寸図.....	D-1
相互結線図.....	S-1



# はじめに

このたびは、当社製品をお買い求めいただき、誠にありがとうございます。当社は 1948 年の創業以来、数々の船用電子機器を製造販売しており、性能、品質、信頼性については全世界のユーザーの方々から高い評価を受けています。本機は、厳しい品質管理のもとで設計・製造されていますので、性能・耐久性ともに安心してご使用いただけます。この取扱説明書をよくお読みいただき、本来の性能を十分発揮させていただきますようお願い申し上げます。

## 特徴

本機は、19 型の高輝度カラー LCD 表示器です。主な特徴は次のとおりです。

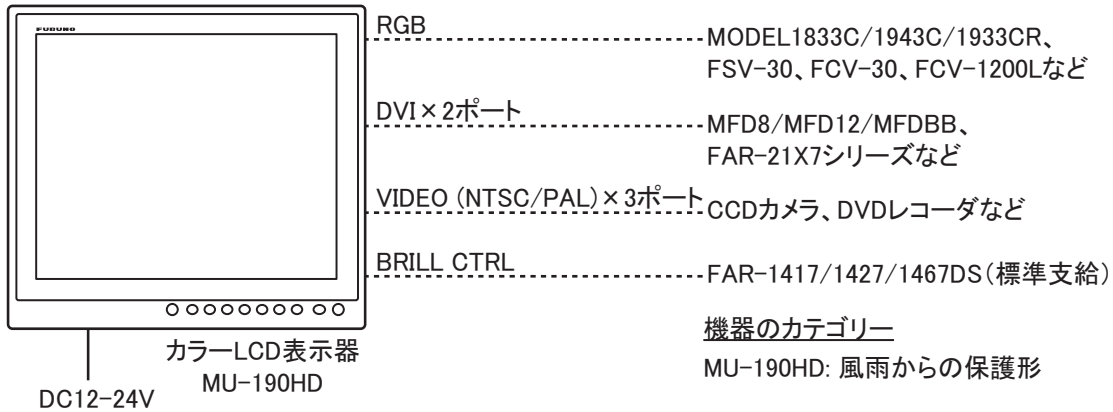
- アナログ RGB 信号 1 系統、デジタル信号 2 系統、コンポジット信号 3 系統を接続し、メニューにて選択表示が可能
- 様々な機種との接続が可能（接続可能機種については「システム構成」参照）
- 高解像度表示 [SXGA (1280x1024 ドット)]
- 高輝度表示（最大輝度 1000cd/ m<sup>2</sup>、最小輝度 0.3cd/ m<sup>2</sup>以下）
- 光センサーによる自動調光機能付き
- ピクチャーインピクチャー機能付き
- DVI 信号による表示器の自動電源オン／オフ機能付き

## プログラム

プログラム名	バージョン番号	設定日
Main	1.XX	2010 年 2 月

XX: 軽微な変更の進捗

# システム構成



## 接続可能機種

機種	解像度	信号形式
FCV-1200L/1200LM	VGA	アナログ RGB、IF-8000 経由
CH-250/250S	VGA	アナログ RGB、IF-8000 経由
CH-300	VGA	アナログ RGB、IF-8000 経由
CSH-5L/8L	XGA	アナログ RGB
FSV-24	SXGA	アナログ RGB
FSV-30	SXGA	アナログ RGB
FSV-84/84L	SXGA	アナログ RGB
FCV-30	SXGA	アナログ RGB
CI-68/88	VGA	アナログ RGB
FR-1510 MARK-3	XGA	アナログ RGB、OP03-153 が必要
FR-21X5 シリーズ	SXGA	アナログ RGB、OP03-162 が必要
FAR-21X7 シリーズ	SXGA	DVI
FEA-2107	SXGA	DVI
FEA-2807	SXGA	DVI
FCR-21X7 シリーズ	SXGA	DVI
FCR-28X7 シリーズ	SXGA	DVI
MODEL1833C/1943C/1933CR (NavNet)	VGA	アナログ RGB、OP03-176 が必要
MFD8 (NavNet 3D)	VGA	DVI
MFD12 (NavNet 3D)	SVGA	DVI
MFDBB (NavNet 3D)	SVGA	DVI
	XGA	
	SXGA	

注 1) 上記レーダーに対しては、副指示器としてのみ使用できます。

注 2) 横型のみ対応

注 3) VGA、SVGA、または XGA 解像度の信号を入力した場合、表示器 (SXGA) の縦横比と異なるので、正円 (真円) が楕円に表示されます (17 ページの「DISP MODE\*」を参照)。

# 構成表

## 標準支給品

名称	型式	コード番号	数量	備考
カラー LCD 表示器	MU-190HD	-	1	ハードカバー付き
工事材料	CP26-01400	000-016-269	1 式	<ul style="list-style-type: none"> <li>CP26-01402*</li> <li>F マウント金具 19 組品 CP26-01401 (001-080-890)、2 個</li> <li>ケーブル組品 MJ-A3SPF0018-050ZC (000-154-025-10)、1 本</li> </ul>
付属品	FP26-00401	001-080-780	1 式	<ul style="list-style-type: none"> <li>フィルタークリーナー 19-028-3125-5 (100-360-675-10)、1 個</li> </ul>
予備品	SP26-00301	001-080-860	1 式	<ul style="list-style-type: none"> <li>ヒューズ FGBO-A 125V 7A PBF (000-164-965-10)、3 個</li> <li>ヒューズ FGBO 125V 15A PBF (000-155-827-10)、3 個</li> </ul>

\*: 巻末の工事材料表参照

## オプション

名称	型式	コード番号	数量	備考
ケーブル組品	3COX-2P-6C 5M	001-077-230-10	1	5m、両端 15 ピン D-sub コネクタ付き
	3COX-2P-6C 10M	001-077-220-10	1	10m、両端 15 ピン D-sub コネクタ付き
	DVI-D/D SINGLELINK5M	000-149-054-10	1	5m、両端 DVI-D コネクタ付き
	DVI-D/D SINGLELINK10M	000-150-200-10	1	10m、両端 DVI-D コネクタ付き
ハンガー 19 キット	OP26-5	000-016-270	1 式	
フード 19 キット	OP26-6	001-080-930	1 式	
フラッシュマウントキット	OP26-7	001-080-940	1 式	

# 1 章 取付けと結線

## 1.1 準備

### 取付け方法

表示器は次のような方法で取り付けることができます。

- 標準構成での取付け（埋込み背面留め）
- 埋込み前面留め（オプション）
- フード付き埋込み背面留め（オプション）
- 卓上取付け（オプション）
- 横並び連結取付け（埋込み背面留め）

取付け寸法の詳細は、巻末の外寸図を参照してください。

注) LCD 管面は壊れやすいガラス素材でできているので、強い衝撃や圧力を加えないように注意して取り付けてください。

### 取付け位置

次の点を考慮して取付け位置を決めてください。

- 取付け場所が表示器の重さに耐えられる場所
- 直射日光が LCD の表面に長時間当たらない場所  
LCD に直射日光が長時間当たると、LCD がブラックアウト（黒くなる現象）する可能性があります。
- 船の周囲の状況を観察しながら機器の操作ができる見通しの良い場所
- 巻末の外寸図に示す保守・点検用のスペースが確保できる場所
- 水しぶきのかからない場所
- コンパス安全距離（iii ページ参照）を確保できる場所

### ハードカバーの取外し / 取付け

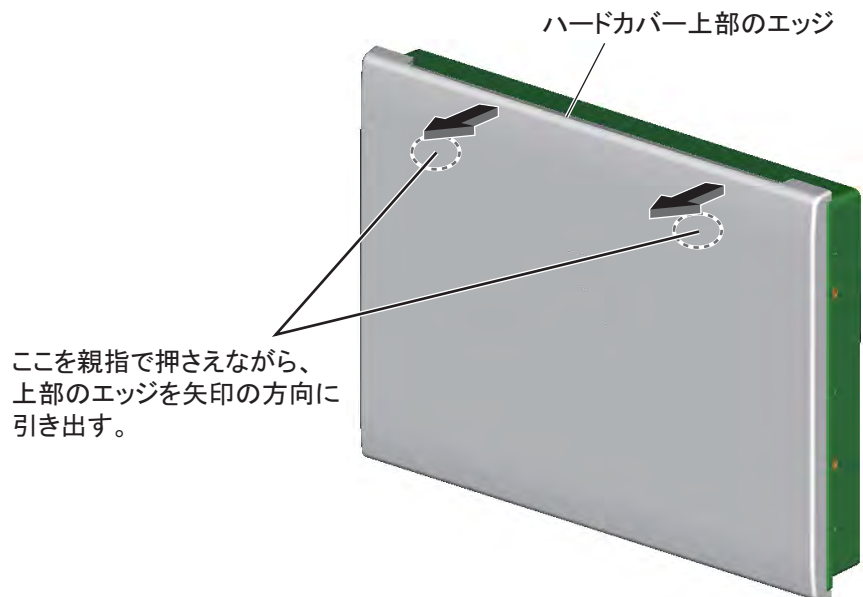
梱包箱を開けると、表示器本体にハードカバーが取り付けられています。本体を取り付ける前に次の要領でハードカバーを取り外してください。

#### 注意

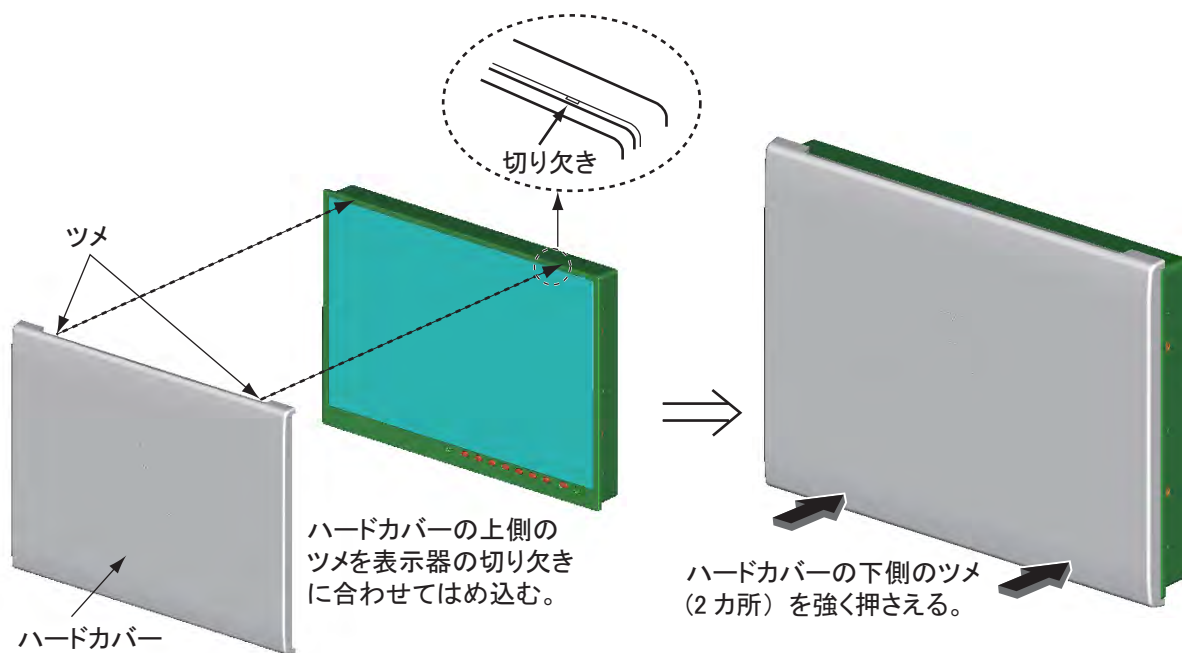


ハードカバーを付けた状態で表示器を持ち上げる場合は、表示器本体とハードカバーを一緒に持ち上げてください。  
ハードカバーだけを持つと表示器本体が落下し、ケガをする恐れがあります。

## 取外し



## 取付け



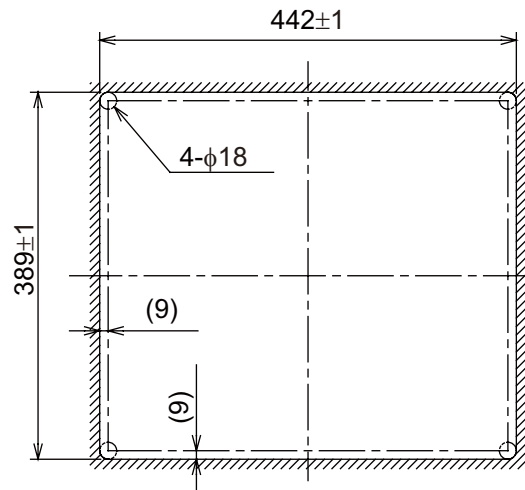
## 配線

表示器を取り付ける前に必要なケーブルを配線しておきます。配線は、巻末の相互結線図を参照してください。

## 1.2 標準構成での取付け（埋込み背面留め）

標準構成では、表示器を背面から埋込み装備することができます。

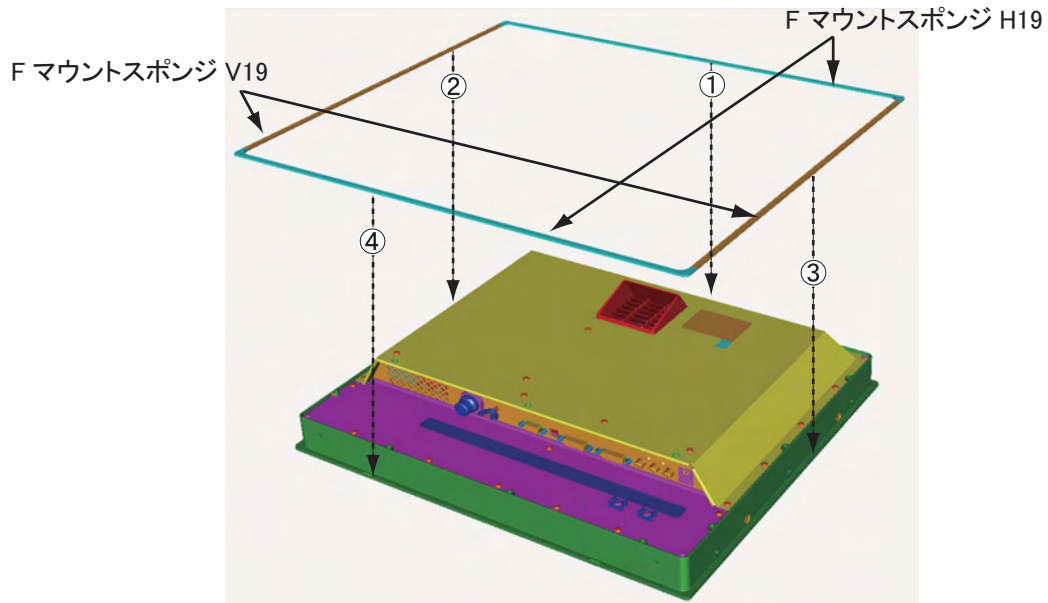
1. 同梱の型紙を使って、装備場所に穴を開けます。



取付け穴寸法参考図

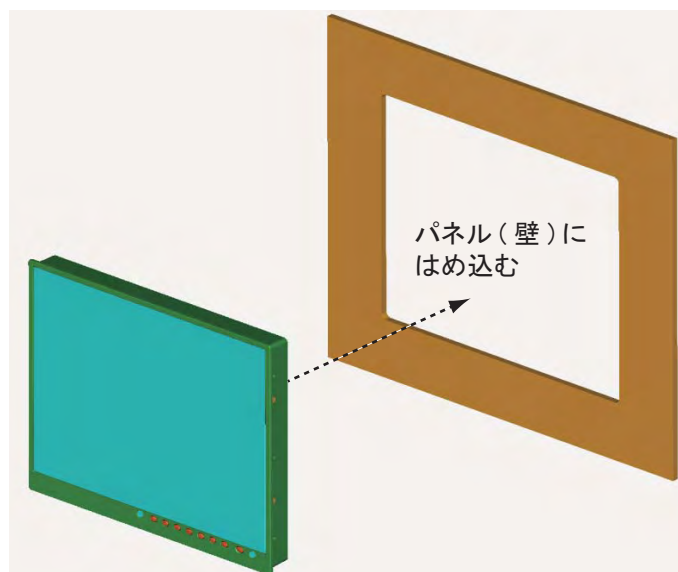
2. 表示器背面の上下つばに支給のFマウントスポンジ H19、および左右つばにFマウントスポンジ V19 を貼り付けます。

スポンジは、下図の①～④の順に貼り付けてください。

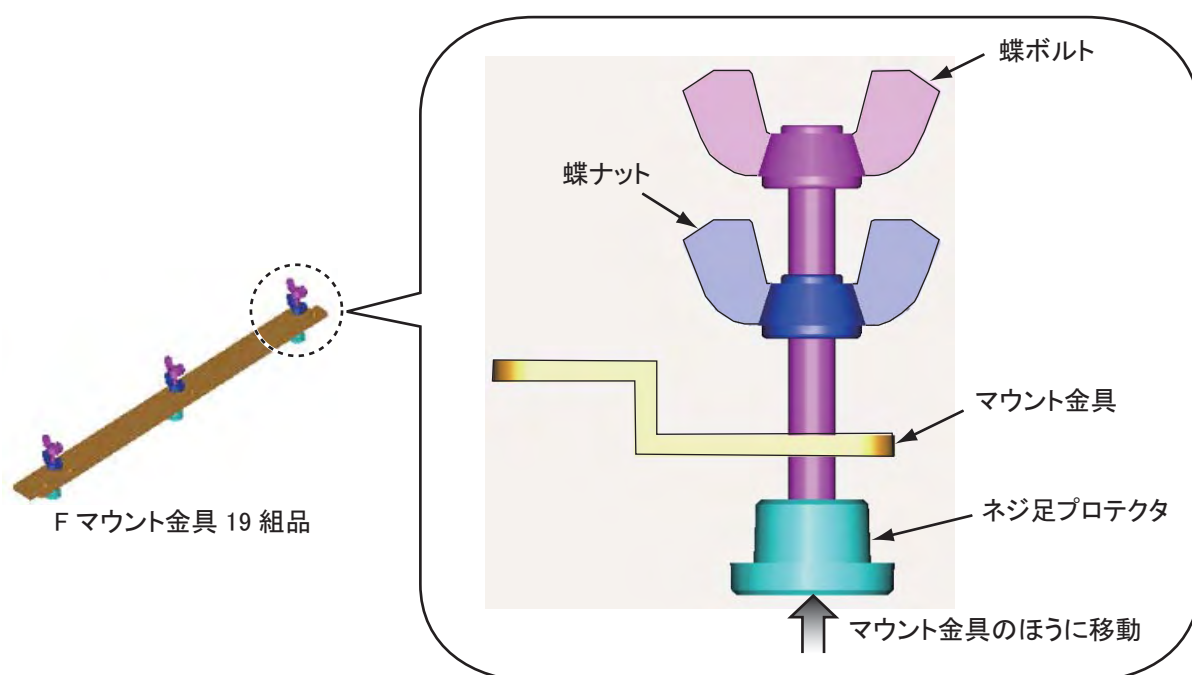


3. 1.7 節の「結線」を参照して、必要なケーブルを表示器背面に接続します。

4. 取付け穴に表示器をはめ込みます。

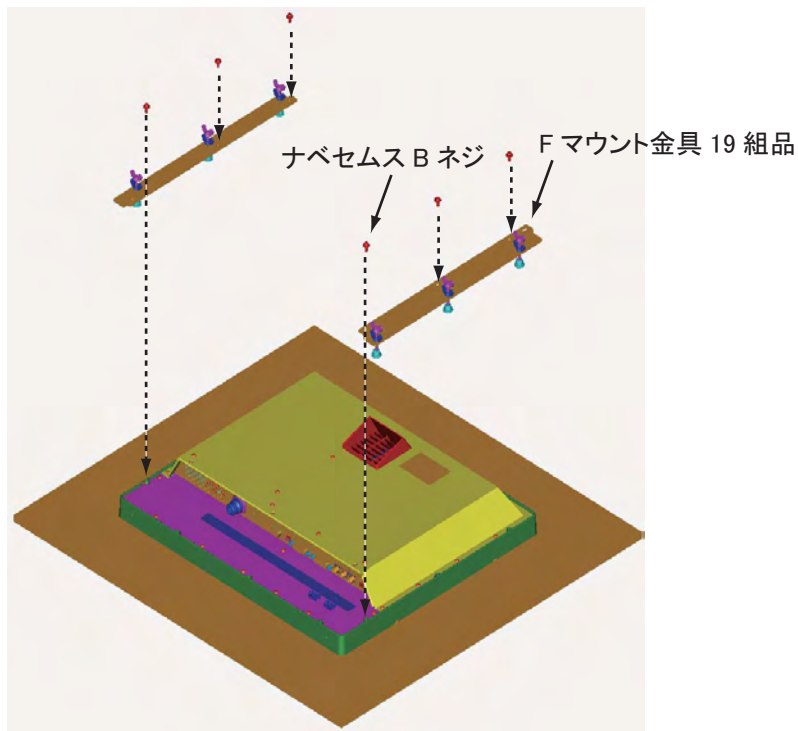


5. 支給のFマウント金具 19組品 (2個) の蝶ナットと蝶ボルトを回して、ネジ足プロテクタをマウント金具のほうに移動させます (下図参照)。

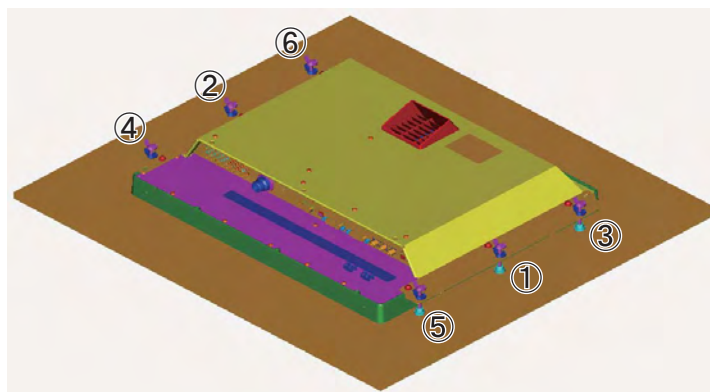


## 1章 取付けと結線

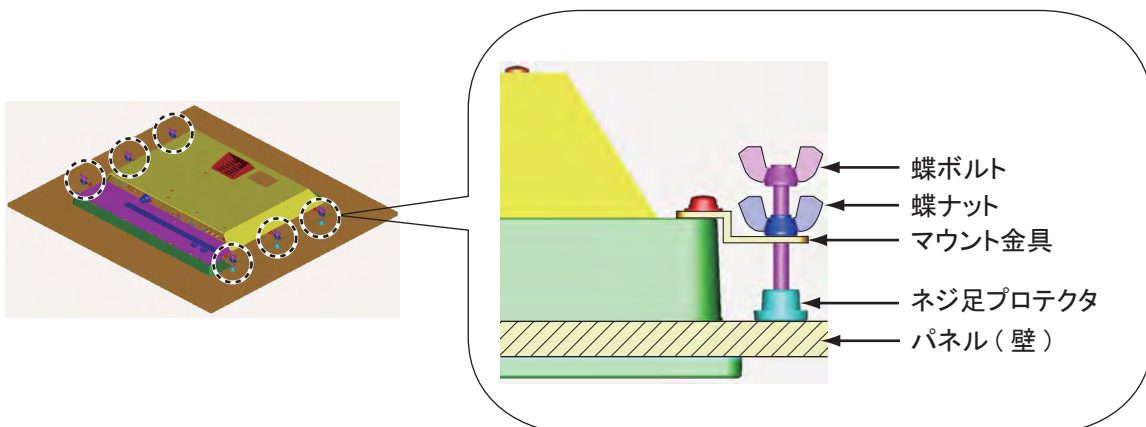
- 表示器背面から支給のナベセムス B ネジ (6 本) を使って、F マウント金具 19 組品を表示器の左右に取り付けます。



- 蝶ボルトを下図の①～⑥の順に回して、ネジ足プロテクタが壁に当たるようにします。



- もう一度、蝶ボルトを①～⑥の順に確実に締め付けて表示器を固定します。
- 中間の蝶ナットを締め付けます。





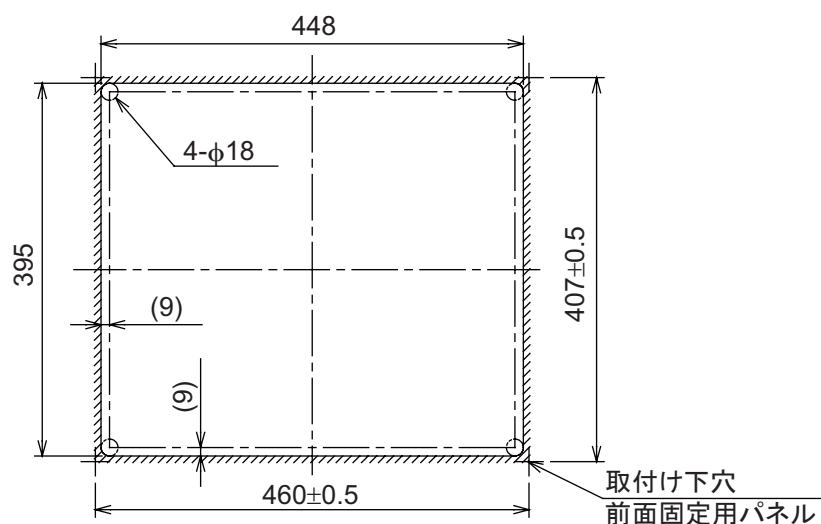
### 1.3 埋込み前面留め（オプション）

埋込み装備で背面留めするためのスペースがない場合には、オプションのフラッシュマウントキット OP26-7 を使用することで表示器前面から固定することができます。

#### フラッシュマウントキット OP26-7（コード番号：001-080-940）内訳

名称	型式	コード番号	数量
Fマウントパネル 19 組品	OP26-7-1	001-080-980-00	1
ナベセムス B	M4x10	000-163-836-10	8
トラスタッピンネジ	5 x 20	000-162-609-10	4
フラッシュマウント型紙	C42-00911	000-172-638-10	1

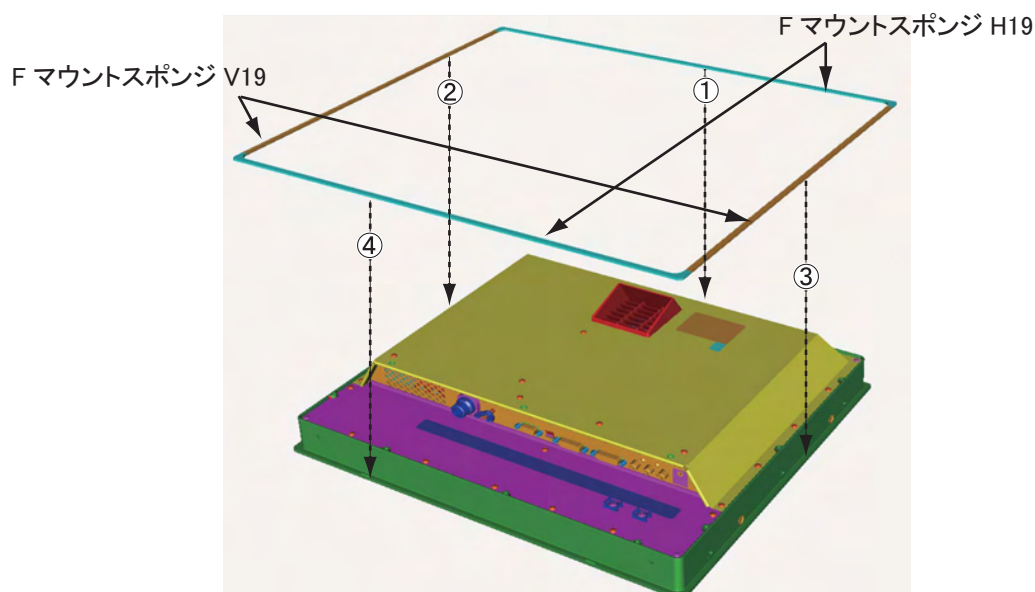
1. キットに同梱の型紙を使って、装備場所に穴を開けます。



取付け穴寸法参考図

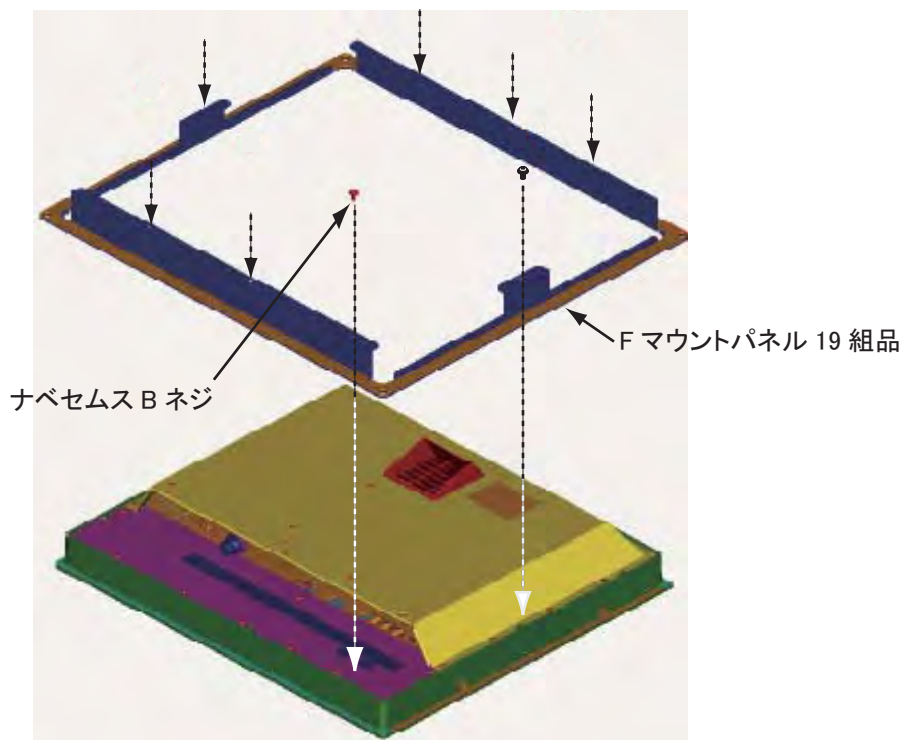
2. 表示器背面の上下つばに支給の F マウントスポンジ H19、および左右つばに F マウントスポンジ V19 を貼り付けます。

スポンジは、下図の①～④の順に貼り付けてください。

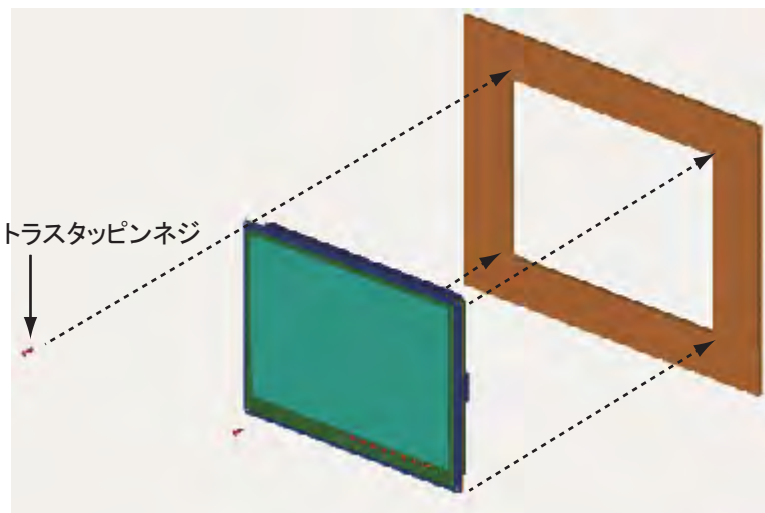


## 1章 取付けと結線

3. 表示器背面からナビセムス B ネジ (8 本) を使って、F マウントパネル 19 組品を取り付けます。



4. 1.7 節の「結線」を参照して、必要なケーブルを表示器背面に接続します。
5. 手順 3 の組品を手順 1 の取付け穴にはめ込みます。
6. トラスタッピンネジ (4 本) を使って、表示器を固定します。



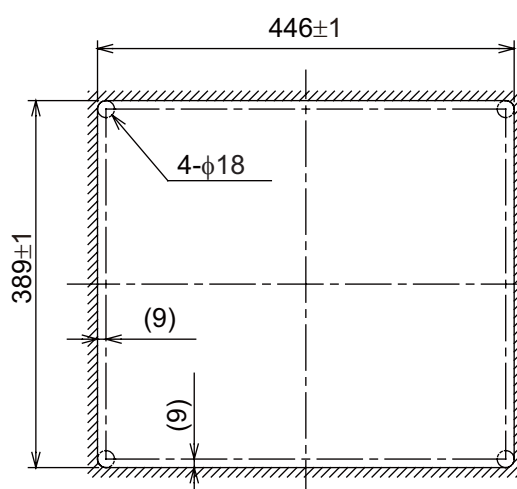
## 1.4 フード付き埋込み背面留め (オプション)

埋込み装備でフードを取り付けるには、オプションのフード19キット OP26-6が必要です。

### フード19キット OP26-6 (コード番号: 001-080-930) 内訳

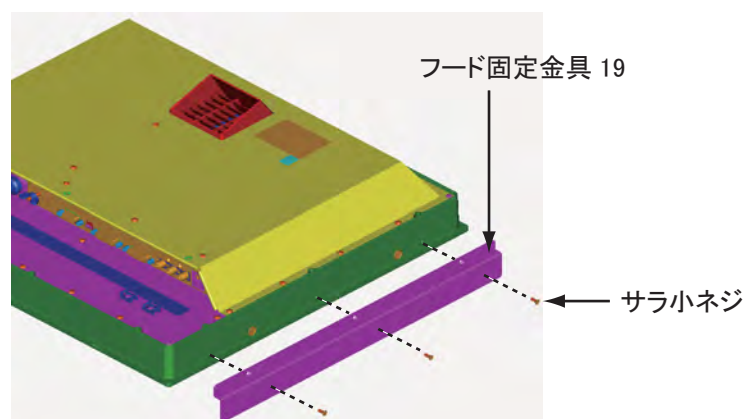
名称	型式	コード番号	数量
フード19組品	OP26-6-1	001-080-970-00	1
FマウントスポンジV19	26-005-3124	100-351-560-10	2
フード固定金具19	26-005-3302	2	
フードFパッキン19	26-005-3305	100-351-620-10	2
ローレットノブM4	03-163-2303	100-343-602-10	4
サラ小ネジ	M3x8	000-172-167-10	6
フラッシュマウント型紙	C42-00910	000-172-637-10	1

1. キットに同梱の型紙を使って、装備場所に穴を開けます。



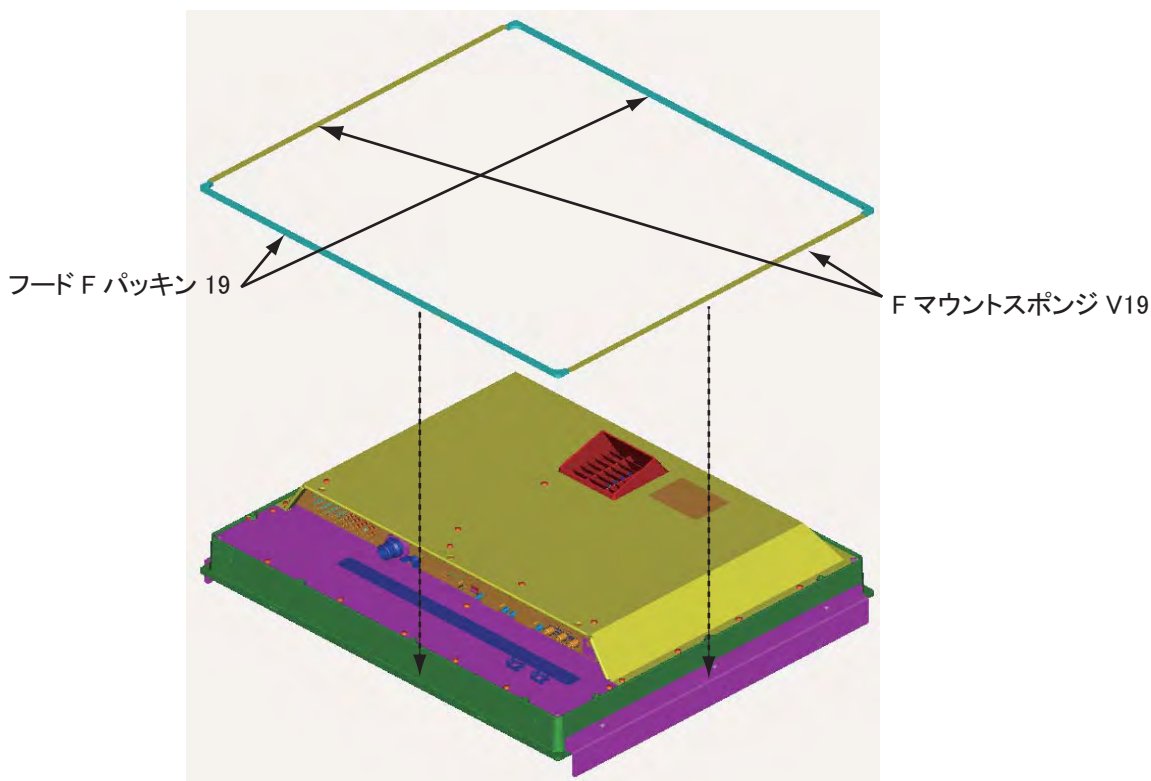
取付け穴寸法参考図

2. サラ小ネジ (6本) を使って、フード固定金具19を表示器の左右に取り付けます。

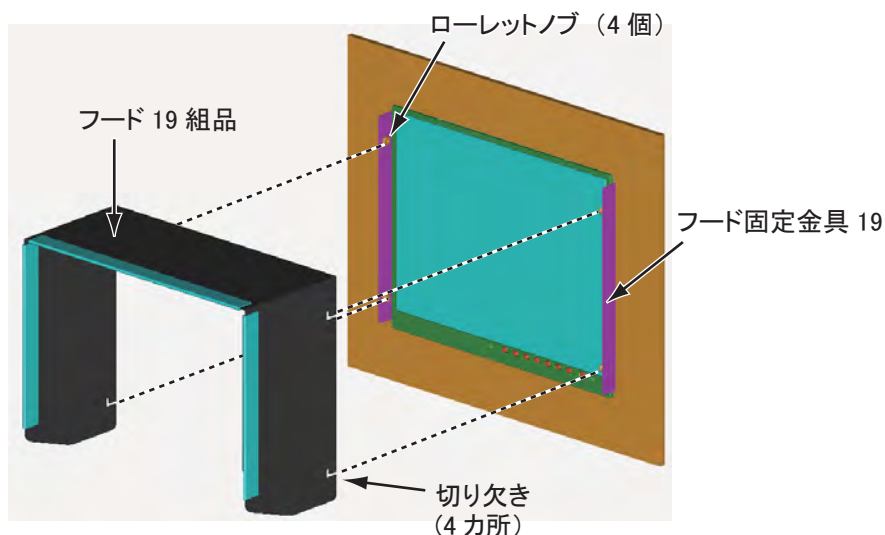


## 1章 取付けと結線

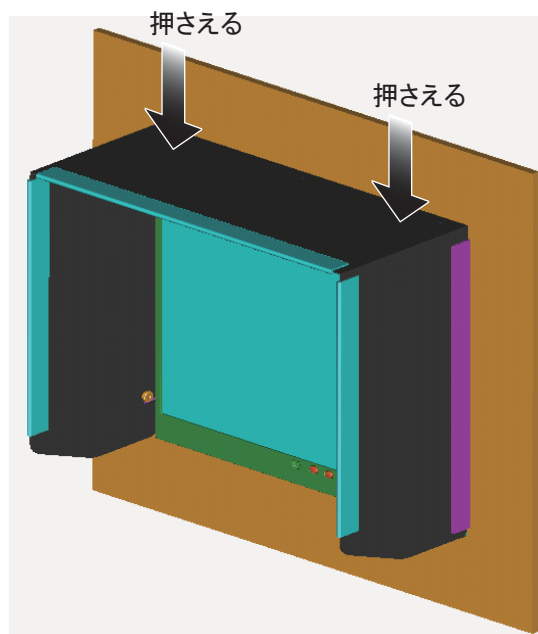
3. 表示器背面の上下つばにキットのフードFパッキン 19 を貼り付け、その後、左右つばにFマウントスポンジ V19 を貼り付けます。



4. 1.2 節の「標準構成での取付け（埋込み背面留め）」の手順 3～9 に従って、表示器をパネル（壁）に固定します。
5. フード固定金具 19 にローレットノブ（4 個）を緩く回してはめ込みます。
6. フード 19 組品の切り欠き部分をローレットノブとフード固定金具 19 の間に差し込みます。



7. 切り欠きとローレットノブが密着するように、フード 19 組品の上部を押さえます。



8. ローレットノブ (4 個) を締め付けて、フード 19 組品を固定します。

## 1.5 卓上取付け (オプション)

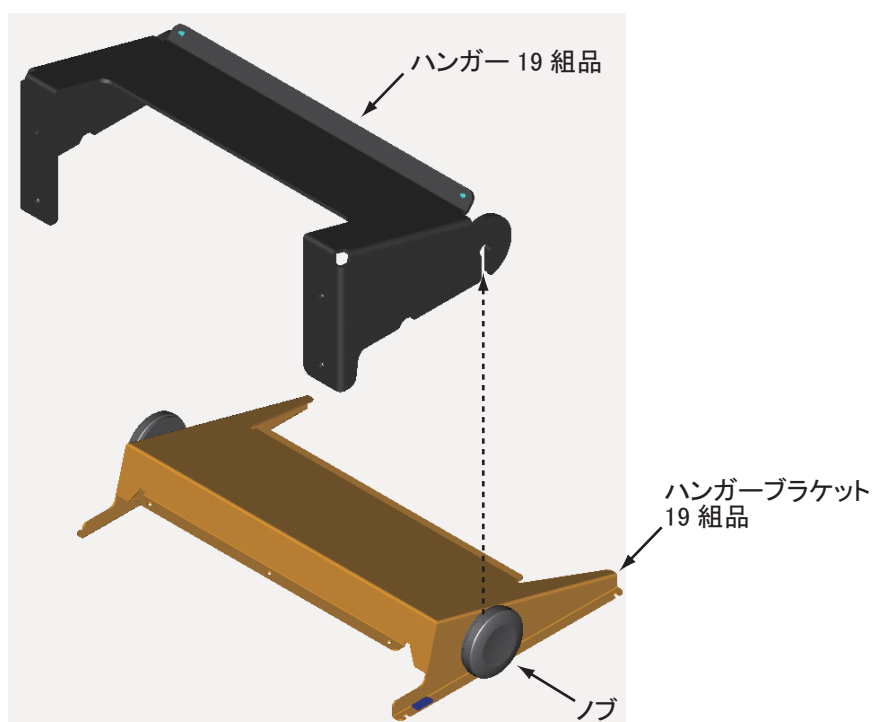
卓上に取り付けるには、オプションのハンガー 19 キット OP26-5 が必要です。

### ハンガー 19 キット OP26-5 (コード番号 : 000-016-270) 内訳

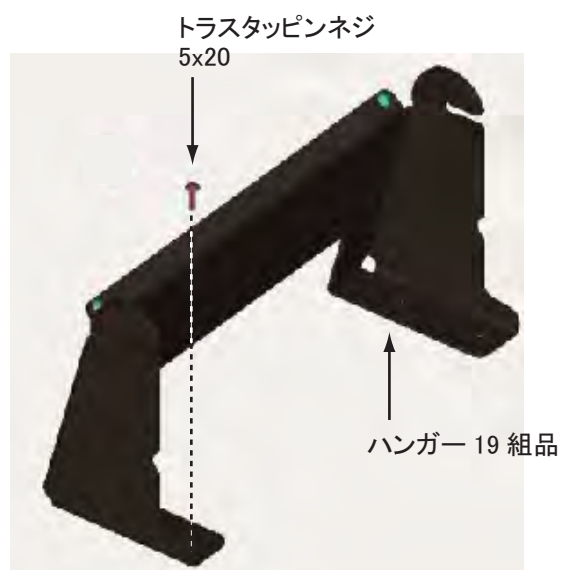
名称	型式	コード番号	数量
ハンガー 19 組品	OP26-5-1	001-080-910-00	1
ハンガーブラケット 19 組品	OP26-5-2	001-080-920-00	
トラスタッピンネジ	5x20	000-162-608-10	4
バインド小ネジ	M4x10	000-172-165-10	9

## 1章 取付けと結線

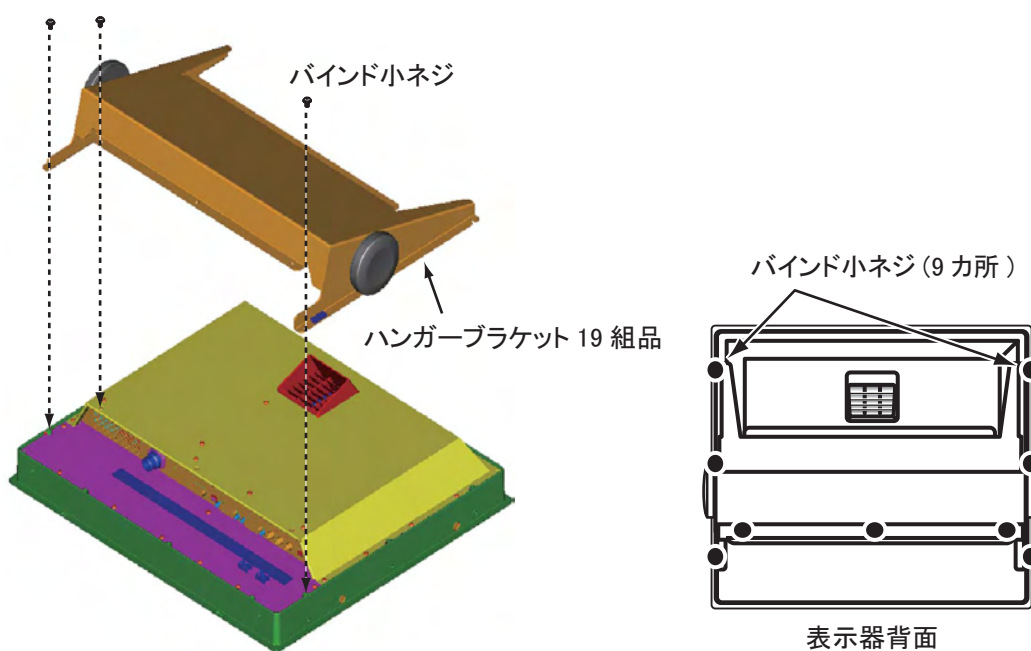
1. ハンガーブラケット 19 組品に付いているノブを緩めて、ハンガー 19 組品とハンガーブラケット 19 組品を分離します。



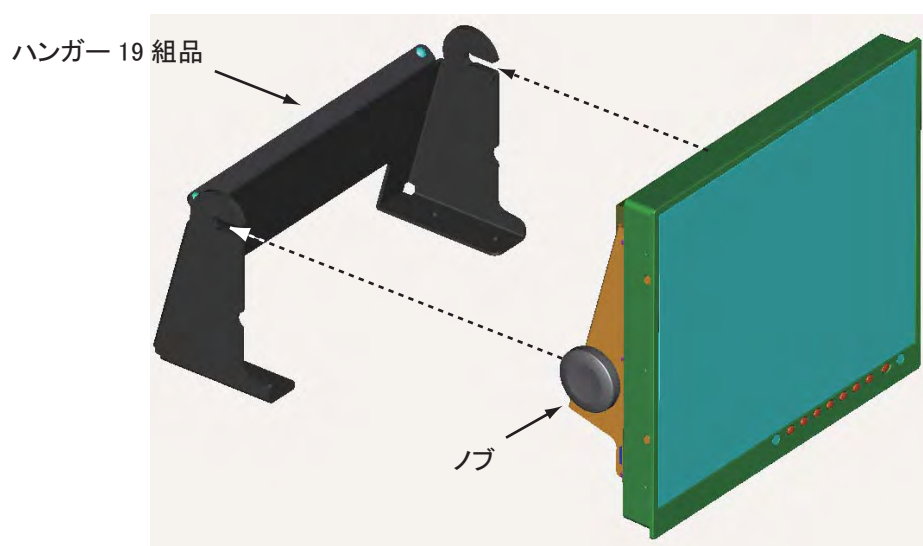
2. 表示器取付け位置にハンガー 19 組品を置き、トラスタッピンネジ (4 本) で固定します。



3. バインド小ネジ（9本）を使って、ハンガーブラケット19組品を表示器の背面に取り付けます。



4. 1.7節の「結線」を参照して、必要なケーブルを表示器背面に接続します。
5. ハンガーブラケット19組品に付いているノブを緩めて、ハンガー19組品の切り欠きに入れます。

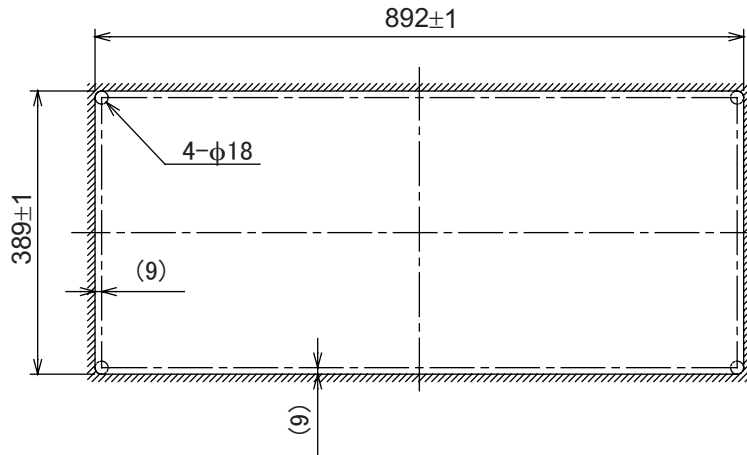


6. 表示器を希望する角度に調整して、ノブを締め付けます。

## 1.6 横並び連結取付け（埋込み背面留め）

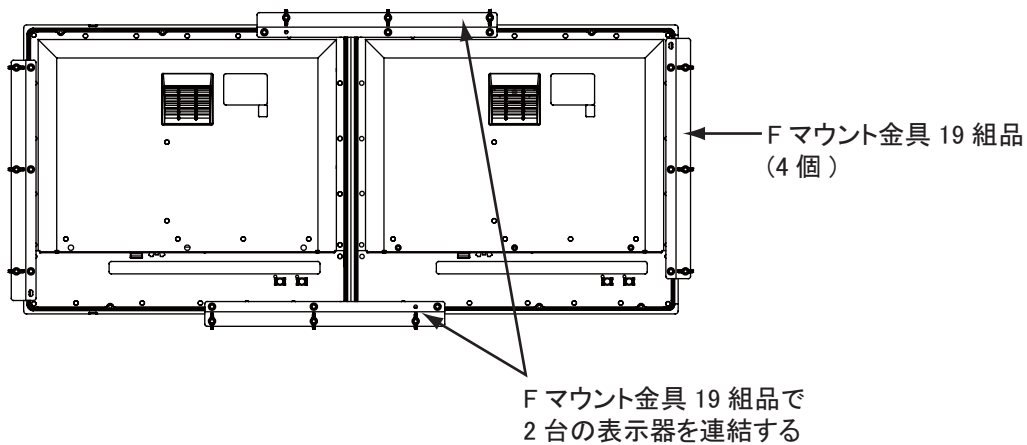
表示器を2台横並びで取り付けることができます。

1. 取付け位置に下図のような取付け穴を開けます。



取付け穴寸法参考図

2. 1.2節の「標準構成での取付け（埋込み背面留め）」の手順2～5に従って、表示器2台をパネル（壁）にはめ込みます。
3. 表示器背面から下図の位置にFマウント金具19組品をナベセムスBネジで取り付けて、2台の表示器を連結します。



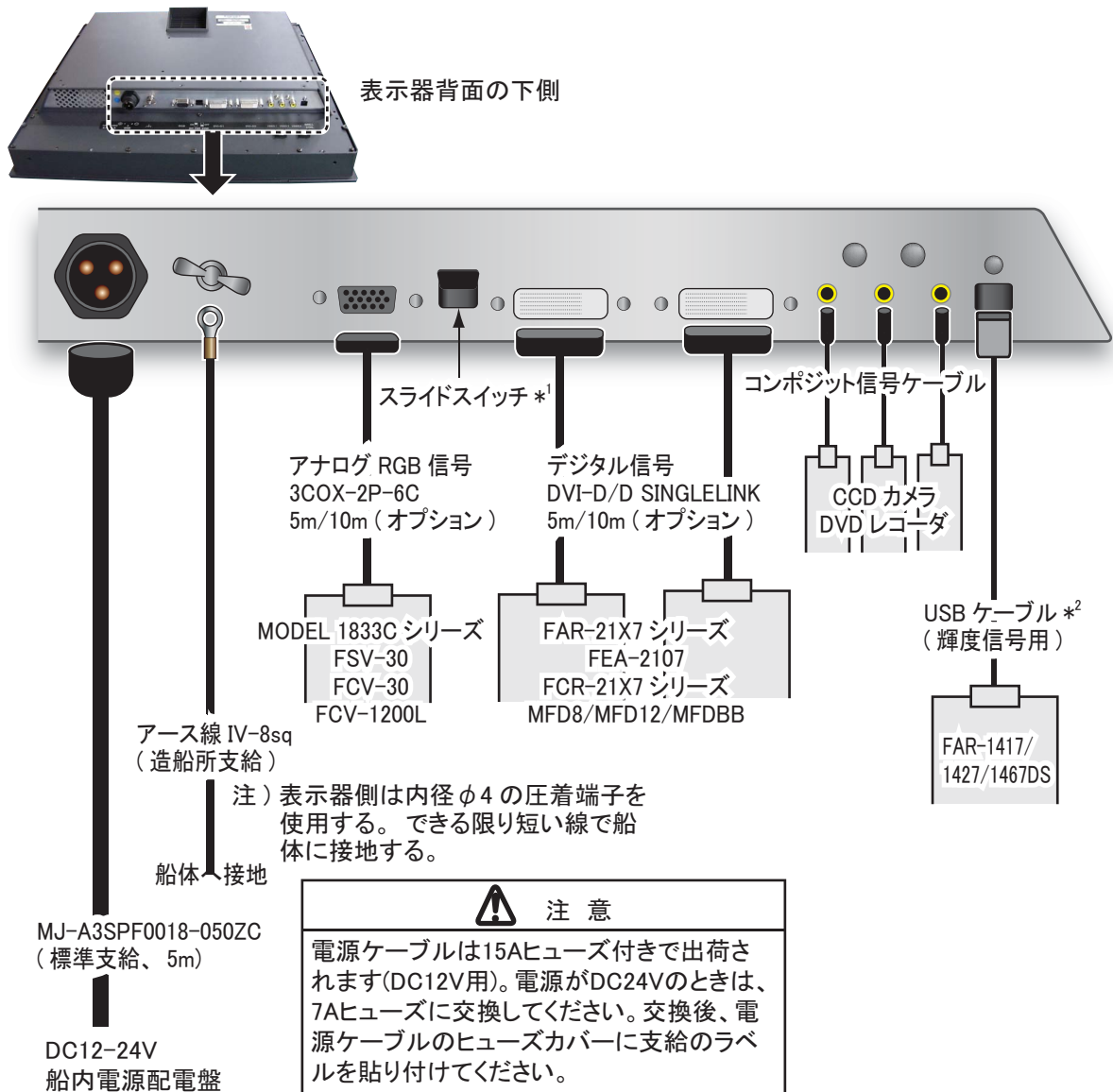
4. 1.2節の「標準構成での取付け（埋込み背面留め）」の手順7～9を参照して、2台の表示器を固定します。



## 1.7 結線

下図および巻末の相互結線図を参照してケーブルを接続してください。

### 接続



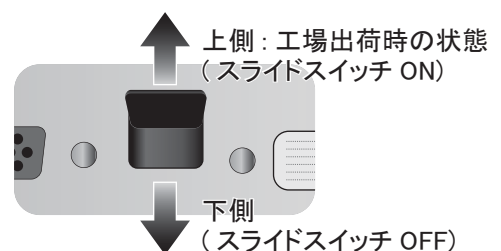
#### \* 1 : スライドスイッチ

- ON (上側) : デジタル信号接続時、レーダーなどの外部機器側で電源をオン/オフすると、表示器の電源も連動します。
- OFF (下側) : アナログ RGB 信号接続時は必ずオフにしてください。

注) DVI ポートと RGB ポートの両方に外部機器を接続している場合は、スライドスイッチの設定を「OFF」にしてください。

#### \* 2 : USB ケーブル

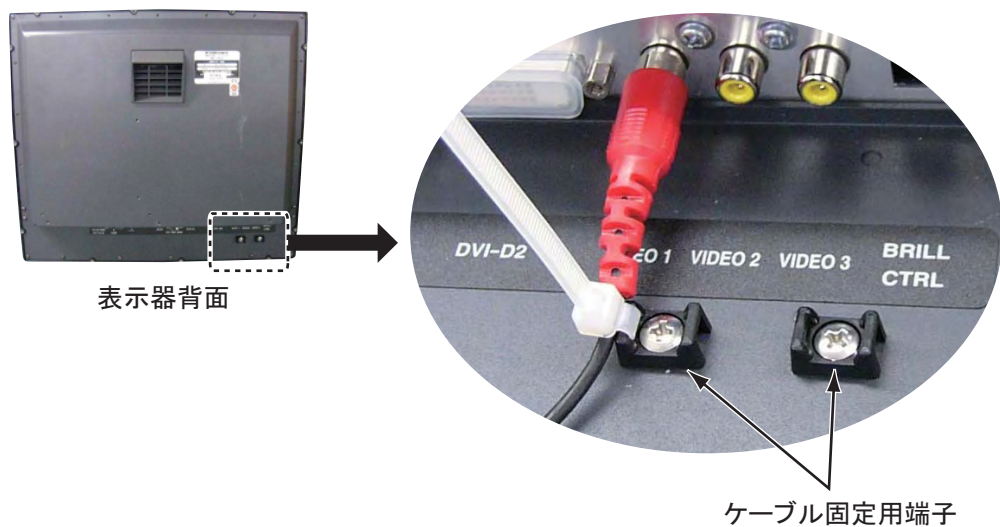
BRILL CTRL ポートに貼ってあるシールをはがして接続します。



## ケーブル固定用端子

コンポジット信号ケーブルまたは USB ケーブルを接続した場合は、下図のようにケーブルを固定してください。振動で抜けないようにするための処置です。

1. 支給のコンベックス（結束バンド）をケーブル固定用端子の穴に通します。
2. 結束バンド内にケーブルを通して結束バンドを締め付け、ケーブルをケーブル固定用端子に固定します。
3. 不要な部分はニッパーで切断します。



## 2 章 装備後の調整

本機に接続している機器に応じて、画面の各種設定を行います。

### 2.1 RGB、DVI1、DVI2 画面の設定

RGB、DVI-D1、DVI-D2 の各ポートに接続した機器の映像を個別に調整します。各機器の電源を入れて映像を表示したあとに、次の調整を行います。

#### 1. 入力信号ウィンドウで調整する画面を選びます（詳細は 3.4 節参照）。

- 1) [DISP] キーを押します。
- 2) もう一度 [DISP] キーを押して、[RGB]、[DVI1]、[DVI2] のいずれかを選びます。

#### 2. [MENU] キーを押して、メニューを表示します。

1 分間キー操作を行わなければ、自動的にメニューは消えます。

#### 3. ◀または▶ キーを押して、[RGB]、[DVI1]、または [DVI2] を選びます。

カーソル（橙色）は、現在選んでいる項目を示します。選んだメニュー名に応じて、メニュー項目が変わります。[DVI1] と [DVI2] メニューの項目は、すべて同じです。

注) 入力信号がない場合、メニュー名がグレー表示になり、設定を変更できません。

RGB	DVI1	DVI2	VIDEO1	VIDEO2	VIDEO3	OSD	SYSTEM	←メニュー名
H_SIZE				640				←メニュー項目
V_SIZE				480				
PHASE				16	(1~32)			
CONTRAST				32	(1~64)			
H_POSITION				50	(1~99)			
V_POSITION				20	(1~40)			
R_LEVEL				31	(1~64)			
G_LEVEL				31	(1~64)			
B_LEVEL				31	(1~64)			
TEMPERATURE				7000K	(5500K/6500K/7000K/8000K)			
B_STRETCH				OFF	(OFF, 1~10)			
W_STRETCH				OFF	(OFF, 1~10)			
DISP MODE				FULL	(FULL/NORMAL)			
SHARPNESS				5	(1~10)			

[RGB] メニュー

RGB	DVI1	DVI2	VIDEO1	VIDEO2	VIDEO3	OSD	SYSTEM	←メニュー名
CONTRAST				32	(1~64)			←メニュー項目
H_POSITION				25	(1~50)			
V_POSITION				20	(1~40)			
R_LEVEL				31	(1~64)			
G_LEVEL				31	(1~64)			
B_LEVEL				31	(1~64)			
TEMPERATURE				7000K	(5500K/6500K/7000K/8000K)			
B_STRETCH				OFF	(OFF, 1~10)			
W_STRETCH				OFF	(OFF, 1~10)			
DISP MODE				FULL	(FULL/NORMAL)			
SHARPNESS				1	(1~10)			

[DVI1] (または 2) メニュー

## 2章 装備後の調整

4. ▼ または ▲ キーを押して、変更するメニュー項目を選びます。
5. ◀ または ▶ キーを押して、設定内容を変更します。
6. [MENU] キーを押して、メニューを閉じます。

### RGB、DVIメニューの説明

メニュー項目	説明	設定範囲
H_SIZE	画面の横幅を調整する。 ◀ (狭まる)、▶ (広がる)	入力信号による
V_SIZE	画面の縦幅を調整する。 ◀ (狭まる)、▶ (広がる)	
PHASE**	入力信号をサンプリングするタイミングを調整する。 数値を変更して文字等を見やすくする。	1 ~ 32
CONTRAST	コントラストを調整する。 ◀ (暗い)、▶ (明るい)	1 ~ 64
H_POSITION	画面位置を左右方向に調整する。 ◀ (左に移動)、▶ (右に移動)	1 ~ 99 (RGB) 1 ~ 50 (DVI1、 DVI2)
V_POSITION	画面位置を上下方向に調整する。 ◀ (上に移動)、▶ (下に移動)	1 ~ 40
R_LEVEL	赤色のレベルを調整する。 ◀ (弱い)、▶ (強い)	1 ~ 64
G_LEVEL	緑色のレベルを調整する。 ◀ (弱い)、▶ (強い)	1 ~ 64
B_LEVEL	青色のレベルを調整する。 ◀ (弱い)、▶ (強い)	1 ~ 64
TEMPERATURE	色温度を調整する (4段階)。 [5500K] (赤色レベルが強い)、[8000K] (青色レベルが強い)	5500K、6500K、 7000K、8000K
B STRETCH	黒に近い色をより黒くする。 [OFF] (標準)、◀ (弱い)、▶ (強い)	OFF、1 ~ 10
W STRETCH	白に近い色をより白くする。 [OFF] (標準)、◀ (弱い)、▶ (強い)	OFF、1 ~ 10
DISP MODE*	入力画像の表示方法を選ぶ。 • <b>FULL</b> : 入力画像を表示器の画面に合わせて表示 • <b>NORMAL</b> : 入力画像の縦横比を保持して表示	FULL、 NORMAL
SHARPNESS**	水平方向のエッジを強調する。 ◀ (文字や線が鈍くなる)、▶ (文字や線が鋭くなる)	1 ~ 10

\*: VGA、SVGA、または XGA 解像度の信号を入力した場合、表示器 (SXGA) の縦横比と異なるので、正円 (真円) が楕円に表示されます。このような場合は、[DISP MODE] の設定を [NORMAL] にしてください。ただし、画面の上下が黒く切れますが故障ではありません。

\*\* : 文字がぼやけているときは、[PHASE] と [SHARPNESS] を調整してください。

## 2.2 VIDEO1、VIDEO2、VIDEO3 画面の設定

VIDEO1、VIDEO2、VIDEO3 の各ポートに接続した機器の映像を個別に調整します。VIDEO1（または2、3）の入力信号は、ピクチャーインピクチャー（PIP）ウィンドウにも表示されます（3.5 節参照）。

1. 入力信号ウィンドウで調整する画面を選びます。
2. [MENU] キーを押して、メニューを表示します。
3. ◀または▶ キーを押して、[VIDEO1]、[VIDEO2]、または [VIDEO3] を選びます。  
[VIDEO1]、[VIDEO2]、および [VIDEO3] メニューの項目は、すべて同じです。

RGB	DVI1	DVI2	VIDEO1	VIDEO2	VIDEO3	OSD	SYSTEM
PIP_SIZE			5	(1~10)			
CONTRAST			32	(1~64)			
R_LEVEL			31	(1~64)			
G_LEVEL			31	(1~64)			
B_LEVEL			31	(1~64)			
TEMPERATURE	7000K			(5500K/6500K/7000K/8000K)			
B STRETCH			OFF	(OFF, 1~10)			
W STRETCH			OFF	(OFF, 1~10)			

[VIDEO1]（または2、3）メニュー

4. ▼または▲ キーを押して、変更するメニュー項目を選びます。
5. ◀または▶ キーを押して、設定内容を変更します。
6. [MENU] キーを押して、メニューを閉じます。

### VIDEO メニューの説明

メニュー項目	説明	設定範囲
PIP_SIZE	PIP ウィンドウのサイズを調整する（PIP ウィンドウが表示されているとき調整可能）。	1（52mm x 35mm）～ 10（285mm x 194mm）
CONTRAST	コントラストを調整する。	1～64
R_LEVEL	赤色のレベルを調整する。	1～64
G_LEVEL	緑色のレベルを調整する。	1～64
B_LEVEL	青色のレベルを調整する。	1～64
TEMPERATURE	色温度を調整する（4段階）。	5500K、6500K、 7000K、8000K
B STRETCH	黒に近い色をより黒くする。	OFF、1～10
W STRETCH	白に近い色をより白くする。	OFF、1～10

（詳細は、前ページの「RGB、DVI メニューの説明」を参照）

## 2.3 メニュー表示の設定

### 2.3.1 メニューを調整する

メニューの表示位置や表示方法を設定します。

1. [MENU] キーを押して、メニューを表示します。
2. ◀または▶ キーを押して、[OSD] を選びます。

RGB	DVI1	DVI2	VIDEO1	VIDEO2	VIDEO3	OSD	SYSTEM
H_POSITION			14	(1~29)			
V_POSITION			33	(1~37)			
TRANSLUCENT			OFF	(OFF/ON)			
PIP SW TIME			OFF	(OFF, 5~20)			
PIP SKIP			OFF	(OFF, V1/V2/V3)			
CUSTOM NAME							
RGB			= RGB	_____			
DVI1			= DVI1	_____			
DVI2			= DVI2	_____			
VIDEO1			= VIDEO1	_____			
VIDEO2			= VIDEO2	_____			
VIDEO3			= VIDEO3	_____			

[OSD] メニュー

3. ▼または▲ キーを押して、変更するメニュー項目を選びます。
4. ◀または▶ キーを押して、設定内容を変更します。
5. [MENU] キーを押して、メニューを閉じます。

#### OSD メニューの説明

メニュー項目	説明	設定範囲
H_POSITION	メニューの表示位置を左右方向に調整する。 ◀ (左に移動)、▶ (右に移動)	1 ~ 29
V_POSITION	メニューの表示位置を上下方向に調整する。 ◀ (上に移動)、▶ (下に移動)	1 ~ 37
TRANSLUCENT	メニューの背景色 (青色) を透過させる。 • <b>OFF</b> : 背景色が青色 • <b>ON</b> : 背景色を透過 注) 透過処理はアルファブレンド技術を使用しています。	OFF、ON
PIP SW TIME	PIP ウィンドウ上で VIDEO1、VIDEO2、VIDEO3 の映像を自動的に切り替えて表示するか、しないかを設定する。自動的に切り替える場合は、各映像の表示間隔 (秒) を選ぶ。	OFF、5 ~ 20

メニュー項目	説明	設定範囲
PIP SKIP	<p>上記の [PIP SW TIME] の設定を「5～20」にした場合は、映像を表示する方法を選ぶ。</p> <ul style="list-style-type: none"> <li>• <b>OFF:</b> VIDEO1→VIDEO2→VIDEO3→VIDEO1→…の順に映像が切り替わる。</li> <li>• <b>V1:</b> VIDEO2→VIDEO3→VIDEO2→…の順に映像が切り替わる (VIDEO1 は表示されない)。</li> <li>• <b>V2:</b> VIDEO1→VIDEO3→VIDEO1→…の順に映像が切り替わる (VIDEO2 は表示されない)。</li> <li>• <b>V3:</b> VIDEO1→VIDEO2→VIDEO1→…の順に映像が切り替わる (VIDEO3 は表示されない)。</li> </ul>	OFF、V1、V2、V3
CUSTOM NAME	2.3.2 項参照	

### 2.3.2 信号名を変更する

「RGB」、「DVI1 (または2)」、「VIDEO1 (または2、3)」の入力信号名を装置の名前等、判りやすい名前に変更できます。変更した名前は、入力信号ウィンドウ、PIP 設定ウィンドウ、および画面切替え時に表示される画面名に反映されます (3.4 節、3.5 節参照)。

1. [MENU] キーを押して、メニューを表示します。

2. ◀または▶ キーを押して、  
[OSD] を選びます。

3. ▼または▲ キーを押して、変更する信号名を選びます。  
右図の例では、「RGB」が選ばれています。

信号名 →

RGB	DVI1	DVI2	VIDEO1	VIDEO2	VIDEO3	OSD	SYSTEM
H POSITION	14	(1~29)					
V POSITION	33	(1~37)					
TRANSLUCENT	OFF	(OFF/ON)					
PIP SW TIME	OFF	(OFF, 5~20)					
PIP SKIP	OFF	(OFF, V1/V2/V3)					
CUSTOM NAME							
RGB	=	RGB	_____				
DVI1	=	DVI1	_____				
DVI2	=	DVI2	_____				
VIDEO1	=	VIDEO1	_____				
VIDEO2	=	VIDEO2	_____				
VIDEO3	=	VIDEO3	_____				

4. ▶ キーを押して、変更する文字  
を選びます。

右図の例では、「G」が選ばれています。

CUSTOM NAME							
RGB	=	R <b>G</b> B	_____				
DVI1	=	DVI1	_____				
DVI2	=	DVI2	_____				
VIDEO1	=	VIDEO1	_____				
VIDEO2	=	VIDEO2	_____				
VIDEO3	=	VIDEO3	_____				

5. 必要な文字が表示されるまで、▼または▲ キーを押します。

右図の例では、「5」が設定されています。最大 10 文字の名前を設定できます。使用できる文字は、「A～Z」、「0～9」、「-」、「.」、「スペース」です。

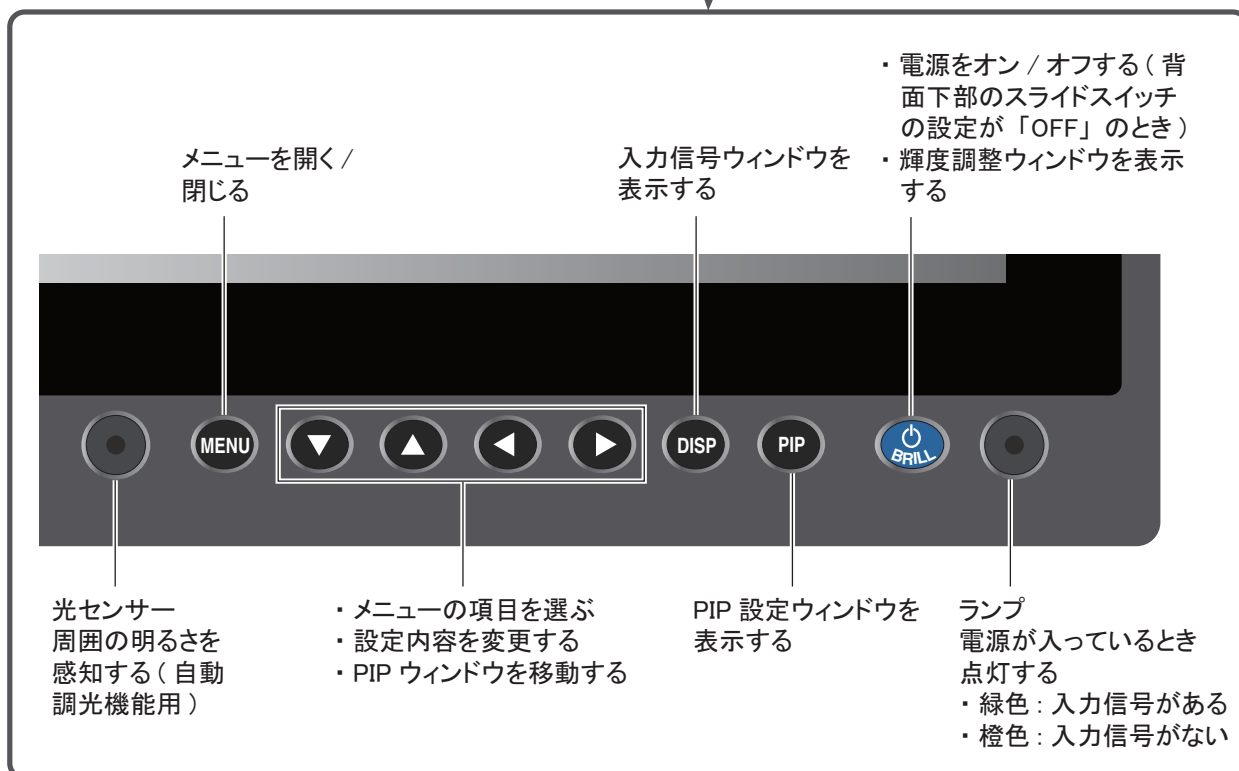
CUSTOM NAME							
RGB	=	R <b>5</b> B	_____				
DVI1	=	DVI1	_____				
DVI2	=	DVI2	_____				
VIDEO1	=	VIDEO1	_____				
VIDEO2	=	VIDEO2	_____				
VIDEO3	=	VIDEO3	_____				

6. 続けて他の信号名を変更する場合は、◀ キーを数回押してカーソルを信号名まで戻してから、手順 3～5 の操作を繰り返します。

7. [MENU] キーを押して、メニューを閉じます。

# 3章 操作

## 3.1 操作パネルの説明





## 3.2 電源のオン／オフ

ここでは、電源のオン／オフ、キーロック機能について説明します。

### 3.2.1 電源をオン／オフする

電源をオン／オフする方法は、表示器背面のスライドスイッチの設定によって異なります（装備時に設定済み：1.7 節参照）。

注）周囲の温度が低いときは、画面の動きが鈍くなります。

#### スライドスイッチの設定が「ON」のとき

DVI-D1 ポートまたは DVI-D2 ポートに接続している外部機器の電源スイッチに連動して、表示器の電源がオン／オフされます（操作方法については、外部機器の取扱説明書を参照）。

注 1) 表示器の [⏻/ BRILL] キーで電源を入れることはできません。

注 2) DVI-D1 ポートと DVI-D2 ポートの両方に外部機器を接続している場合、2 台の外部機器の電源を切らないと表示器はオフになりません。

#### スライドスイッチの設定が「OFF」のとき

1. 表示器の [⏻/ BRILL] キーを押して、電源を入れます。
2. 電源を切るときは、表示器の [⏻/ BRILL] キーを 3 秒間押し続けます。  
キーを押している間、次のようなメッセージが画面中央に表示されます。



SHUT DOWN  
This monitor will shut down in three seconds.

### 3.2.2 キーをロックする

表示器には、誤操作を防ぐためのキーロック機能が付いています。[⏻/ BRILL] 以外のキーを無効にするには、次の操作を行ってください。

1. [PIP] キーを押しながら電源を入れます。  
[PIP] キーは 5 秒以上押し続けてください。  
注）スライドスイッチの設定が「ON」のときは、[PIP] キーを押しながら DVI 出力機器の電源を入れてください。
2. キーロックを解除するには、いったん電源を切ります。次に、もう一度 [PIP] キーを押しながら電源を入れます。  
[PIP] キーは 5 秒以上押し続けてください。

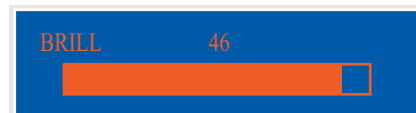
### 3.3 輝度の調整

画面の輝度を調整します。

注) [SYSTEM] メニューの [AUTO DIMMER] を「OFF」に設定している場合のみ、この操作を行えます (3.6.1 項参照)。

1. [☉/ BRILL] キーを短く押して、輝度調整ウィンドウを表示します。

5 秒間キー操作を行わなければ、自動的にウィンドウは消えます。



輝度調整ウィンドウ

2. ◀または▶ キーを押して、輝度を調整します (設定範囲: 1 ~ 50)。

[☉/ BRILL] キーを短く押すことで、調整することもできます。

3. ▲または▼ キーを押して、ウィンドウを閉じます。

注 1) 輝度を最小に設定した状態で電源を切った場合、次回電源を入れたときに周囲の明るさによって、表示が見えづらいことがあります。このような場合は、[☉/ BRILL] キーを何回か押してください。

注 2) FAR-21X7 シリーズの表示器として使用する場合、FAR-21X7 シリーズの操作部から輝度の調整を行うことができます (3.6.2 項参照)。

### 3.4 入力信号の選択

画面全体に表示する入力信号を選びます。

1. [DISP] キーを押して、入力信号ウィンドウを表示します。

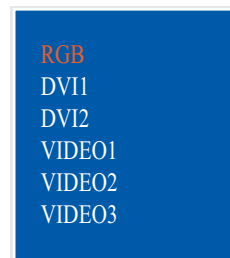
ウィンドウ内には、2.3.2 項で設定した信号名が表示されます。

5 秒間キー操作を行わなければ、自動的にウィンドウは消えます。

2. ▼または▲ キーを押して、入力信号を選びます。

[DISP] キーを続けて押すことで、選ぶこともできます。

- **RGB:** RGB ポートからの入力信号を表示する。
- **DVI1、DVI2:** 選んでいる DVI ポートからの入力信号を表示する。 (工場出荷時の状態)
- **VIDEO1 ~ VIDEO3:** 選んでいる VIDEO ポートからの入力信号を表示する。



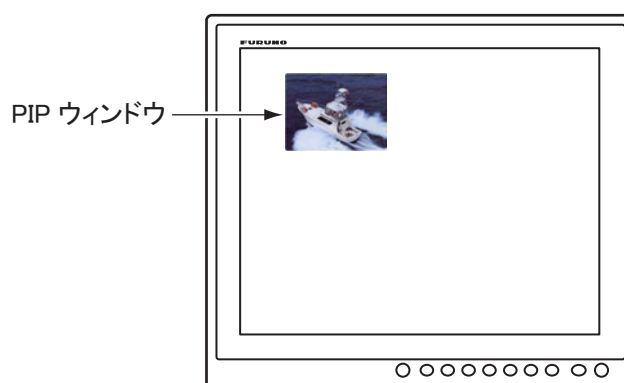
入力信号ウィンドウ  
(工場出荷時の状態)

3. ◀または▶ キーを押して、ウィンドウを閉じます。

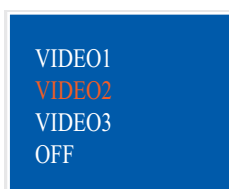
ウィンドウが消えたあと、手順 2 で選んだ信号名が画面の右上に 5 秒間表示されます。入力信号がない場合は、「NO SIGNAL」と表示されます。

## 3.5 PIP ウィンドウ内の入力信号の選択

PIP ウィンドウに表示させる入力信号を選びます。PIP ウィンドウは、RGB、DVI1、または DVI2 画面上に表示することができます。



1. RGB、DVI1、または DVI2 画面が表示されているときに、[PIP] キーを押します。  
PIP 設定ウィンドウが表示されます。ウィンドウ内には、2.3.2 項で設定した信号名が表示されます。5 秒間キー操作を行わなければ、自動的にウィンドウは消えます。



PIP 設定ウィンドウ（工場出荷時の状態）

2. ▼ または ▲ キーを押して、入力信号を選びます。  
[PIP] キーを続けて押すことで、選ぶこともできます。[VIDEO1] ~ [VIDEO3] を選ぶと、PIP ウィンドウが画面に現れます。PIP ウィンドウを表示させたくないときは、[OFF] を選んでください。
3. ◀ または ▶ キーを押して、PIP 設定ウィンドウを閉じます。
4. PIP ウィンドウの表示位置を移動する場合は、メニューが表示されていないときに矢印キーを押します。  
任意の位置に PIP ウィンドウを移動できます。

注 1) [OSD] メニューの [PIP SW TIME] の設定を「5 ~ 20」にすると、上記の設定とは関係なく、PIP ウィンドウには VIDEO1、VIDEO2、VIDEO3 の映像が自動的に切り替わって表示されます（2.3.1 項参照）。

注 2) PIP ウィンドウのサイズは、[VIDEO1]（または 2、3）メニューで調整します（2.2 節参照）。

## 3.6 システムメニュー

輝度および初期化に関する設定は、[SYSTEM] メニューで行います。また、[SYSTEM] メニューで入力信号の情報やプログラムバージョン番号を確認できます。

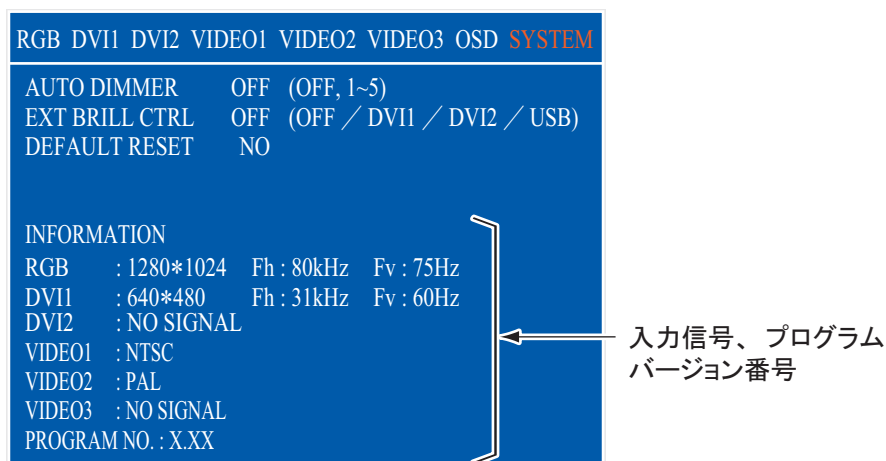
### 3.6.1 自動調光機能をオン／オフする

自動調光機能をオンにすると、周囲の明るさに応じて、画面の輝度が自動的に調整されます。また、輝度を調整する間隔を選ぶことができます。

注) 表示器前面にある光センサーの前に物を置かないでください。明るさを感知できなくなります。

1. [MENU] キーを押して、メニューを表示します。
2. ▶ キーを押して、[SYSTEM] を選びます。

“Input Signal Searching. Please Wait.” というメッセージが出たあとに、[SYSTEM] メニューが表示されます。



[SYSTEM] メニュー

3. ▼ または ▲ キーを押して、[AUTO DIMMER] を選びます。
4. ◀ または ▶ キーを押して、次のいずれかを選びます。
  - **OFF:** 自動調光機能をオフにする。
  - **1:** 2 秒間隔で輝度を調整する。
  - **2:** 30 秒間隔で輝度を調整する。
  - **3:** 1 分間隔で輝度を調整する。
  - **4:** 3 分間隔で輝度を調整する。
  - **5:** 5 分間隔で輝度を調整する。
5. [MENU] キーを押して、メニューを閉じます。

### 3.6.2 外部機器から輝度を調整する

DVI-D1 または DVI-D2 ポートに FAR-21X7 シリーズを接続している場合、あるいは BRILL CTRL ポートに FAR-1417/1427/1467DS (輝度信号) を接続している場合には、そのレーダーから表示器の輝度を調整することができます。

注) [SYSTEM] メニューの [AUTO DIMMER] を「OFF」に設定している場合のみ、この操作を行えます。

1. [MENU] キーを押して、メニューを表示します。
2. ▶ キーを押して、[SYSTEM] を選びます。
3. ▼ または ▲ キーを押して、[EXT BRILL CTRL] を選びます。
4. ◀ または ▶ キーを押して、次のいずれかを選びます。
  - **OFF:** すべての画面の輝度を [☺/BRILL] キーで調整する。
  - **DVI1:** DVI1 画面を表示している場合、DVI-D1 ポートに接続している FAR-21X7 シリーズから輝度を調整する (DVI1 以外の画面では [☺/BRILL] キーが有効)。
  - **DVI2:** DVI2 画面を表示している場合、DVI-D2 ポートに接続している FAR-21X7 シリーズから輝度を調整する (DVI2 以外の画面では [☺/BRILL] キーが有効)。
  - **USB:** BRILL CTRL ポートに接続している FAR-1417/1427/1467DS から輝度を調整する (すべての画面で [☺/BRILL] キーは無効)。
5. [MENU] キーを押して、メニューを閉じます。

### 3.6.3 設定を初期化する

この操作を行うと、お客様が設定した値が工場出荷時の状態に戻ります。

1. [MENU] キーを押して、メニューを表示します。
2. ▶ キーを押して、[SYSTEM] を選びます。
3. ▼ または ▲ キーを押して、[DEFAULT RESET] を選びます。
4. ▶ キーを押します。

表示が [NO] から [YES] に変わります。

RGB	DVI1	DVI2	VIDEO1	VIDEO2	VIDEO3	OSD	SYSTEM
AUTO DIMMER	OFF	(OFF, 1~5)					
EXT BRILL CTRL	OFF	(OFF / DVI1 / DVI2 / USB)					
DEFAULT RESET	YES						
All custom settings will be lost.							
←key: cancel      →key: reset							
INFORMATION							
RGB	: 1280*1024	Fh : 80kHz	Fv : 75Hz				
DVI1	: 640*480	Fh : 31kHz	Fv : 60Hz				
DVI2	: NO SIGNAL						
VIDEO1	: NTSC						
VIDEO2	: PAL						
VIDEO3	: NO SIGNAL						
PROGRAM NO.	: X.XX						

注) 初期化を中止する場合は、◀ キーを押してください。表示が [YES] から [NO] に変わります。

5. ▶ キーを押して、[reset] を選びます。

# 4 章 保守点検およびトラブルシューティング

## ご 注 意

塗料、防錆剤、接点復活剤などは有機溶剤を含んでいるので、機器の塗装部分や樹脂部品には使用しないでください。

機器の塗装部分や樹脂部品を劣化させることがあります。特に、樹脂のコネクタに使用すると破損する恐れがありますので絶対に使用しないでください。

## 4.1 保守点検

### ふだんの保守点検

機器の性能を十分に発揮させるには、定期的な点検が必要です。定期的に次の項目を点検してください。

- 表示器背面のコネクタが確実に接続されているか確認します。
- アース端子に緩みや錆びがないか確認します。またアース線が確実に接地されているか確認します。
- 表示器にほこりや汚れがついていないか確認します。ほこりや汚れは、柔らかい乾いた布でふき取ってください。ひどい汚れは薄めた中性洗剤をしみ込ませた布でふいたあと、柔らかい布で空ぶきしてください。シンナーやアセトン、アルコール、ベンジンなどの有機溶剤を使用しないでください。操作パネルの文字などが溶ける場合があります。
- LCD の表面にほこりや汚れがついていないか確認します。LCD の表面は傷が付きやすいので、必ず支給のフィルタークリーナーでふいてください。泥や塩などがこびり付いている場合は、市販の OA ディスプレイクリーナーをティッシュに多めに染み込ませて、泥や塩を溶かすようにゆっくりとふきます。泥や塩が付着したティッシュでふくと表面を傷付けますので、こまめにティッシュを取り替えながらふいてください。シンナーやアセトン、アルコール、ベンジンなどの有機溶剤は使用しないでください。また、市販の油膜取り、曇り止めも使用しないでください。画面（フィルター面）のコーティング剤が剥がれてしまいます。

## ヒューズの交換

電源が入らない場合、ヒューズが切れている可能性があります。ヒューズは電源ケーブル内にあります。指定のヒューズと交換してください。ヒューズを交換しても再び切れるときは、当社または当社代理店に連絡してください。



### 警告



ヒューズは指定のものを使用すること。  
指定外のものを使った場合、重大な事故や火災を引き起こす原因になります。

名称	型式	コード番号	備考
ヒューズ	FGBO 125V 15A PBF	000-155-827-10	DC12V
ヒューズ	FGBO-A 125V 7A PBF	000-164-965-10	DV24V

## LCD 交換の目安

LCD の寿命時間は、約 50,000 時間です。実際の使用時間は、周囲の環境（温度、湿度）により変動します。寿命がくると、輝度が低くなります。

## ファン交換の目安

各ファンの寿命時間は、右表のとおりです。実際の使用時間は、周囲の環境（温度）により変動します。寿命がきたら、“FAN1（または 2、3）ERROR” というメッセージが表示されます。電源を切り、当社または当社代理店にファンの交換を依頼してください。

ファン	寿命時間
FAN1、FAN3	約 40,000 時間
FAN2	約 60,000 時間

## 4.2 故障かなと思ったら

「故障かな」と思ったら、まず次の点検を行ってください。また、サービスマンを呼ぶときには、点検した事柄を詳しく報告していただくと、サービスが迅速になります。

症状	対処
電源が入らない。	<ul style="list-style-type: none"> <li>スライドスイッチの設定を確認する（1.7 節参照）。</li> <li>テスターでバッテリーの電圧を確認する。</li> <li>電源ケーブル内のヒューズを交換する。</li> <li>電源ケーブルを確実に接続する。</li> </ul>
電源が切れない。	<ul style="list-style-type: none"> <li>[/BRILL] キーを 8 秒間押し続ける。</li> <li>スライドスイッチの設定が「ON」のときは、DVI 出力機器の電源スイッチをオフにする。</li> </ul>
映像が表示されない。	<ul style="list-style-type: none"> <li>ケーブルを確実に接続する。</li> <li>[SYSTEM] メニューで入力信号の情報を確認する（3.6 節参照）。</li> </ul>
[/BRILL] 以外のキーを押してもメニューやウィンドウが現れない。	キーロック機能を解除する（3.2.2 項参照）。

**19 型カラーLCD 表示器 MU-190HD 仕 様****1. 総合**

(1) 表示器	19 型カラーLCD
(2) 有効表示領域	約 376×301 mm
(3) 解像度	SXGA (1280×1024 ドット)
(4) 輝度	1,000 cd/m <sup>2</sup>
(5) コントラスト	900 : 1
(6) 視野角	160° (上下左右 80° 以上)
(7) 入力信号	
アナログ RGB	1 ポート、ノンインタレース、RGB:0.7 Vp-p、同期 : TTL
DVI-D	2 ポート、DVI 規格準拠、VESA DDC2B
コンポジット	3 ポート、NTSC/PAL 規格準拠、ビデオ : 0.7 Vp-p
USB (外部調光用)	USB1.1、12Mbps

**2. 電源**

DC12-24 V: 8.4-3.9 A

**3. 環境条件**

(1) 使用温度範囲	-15°C～+55°C
(2) 相対湿度	93%以下 (+40°C)
(3) 保護等級	IP56 (前面パネル)、IP22 (背面)
(4) 振動	IEC60945-4 版

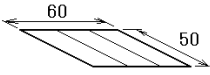
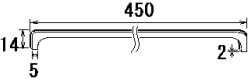
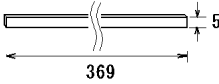
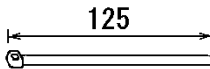
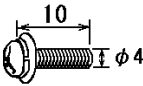
**4. ユニットカラー**

N2.5



**FURUNO**

CODE NO.	001-080-900-00	26AE-X-9402 -0
TYPE	CP26-01402	1/1

工事材料表 INSTALLATION MATERIALS					
番号 NO.	名称 NAME	略図 OUTLINE	型名/規格 DESCRIPTIONS	数量 Q' TY	用途/備考 REMARKS
1	ヒューズ*ハリマーク FUSE LABEL		03-153-1312-0 ROHS CODE NO. 100-292-140-10	1	
2	Fマウントスポンジ*H19 FLUSH MOUNTING SPONGE H 19		26-005-3123-0 CODE NO. 100-351-550-10	2	
3	Fマウントスポンジ*V19 FLUSH MOUNTING SPONGE V 19		26-005-3124-0 CODE NO. 100-351-560-10	2	
4	コンベックス CONVEX		CV-125N CODE NO. 000-172-164-10	4	
5	ナハセムスB WASHER HEAD SCREW *B*		M4X10 SUS304 CODE NO. 000-163-836-10	6	

型式/コード番号が2段の場合、下段より上段に代わる過渡期品であり、どちらかが入っています。なお、品質は変わりません。

TWO TYPES AND CODES MAY BE LISTED FOR AN ITEM. THE LOWER PRODUCT MAY BE SHIPPED IN PLACE OF THE UPPER PRODUCT. QUALITY IS THE SAME.

(略図の寸法は、参考値です。 DIMENSIONS IN DRAWING FOR REFERENCE ONLY.)

FURUNO ELECTRIC CO., LTD.

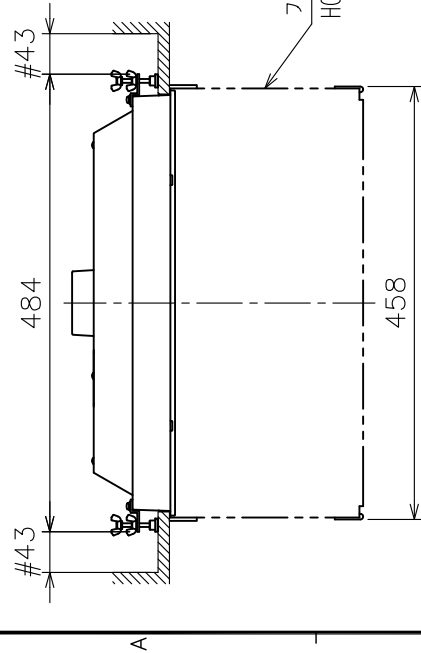


表2 TABLE 2

フード	HOOD	B (mm)	D (mm)
なし	BLANK	6	442
あり	ATTACHED	7	446

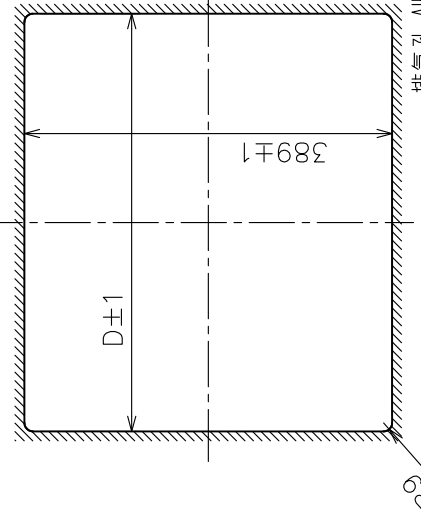
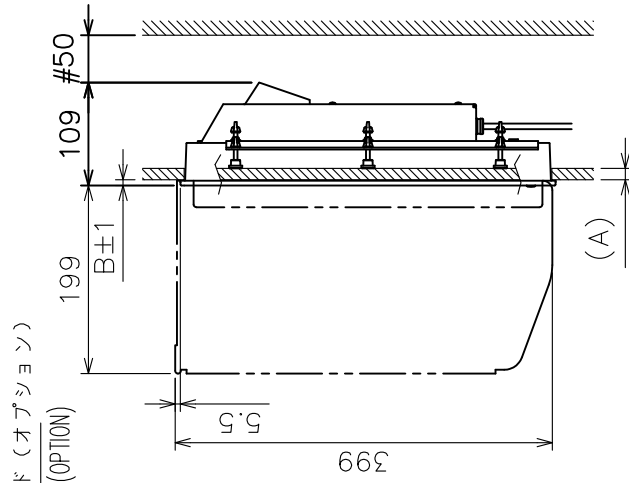
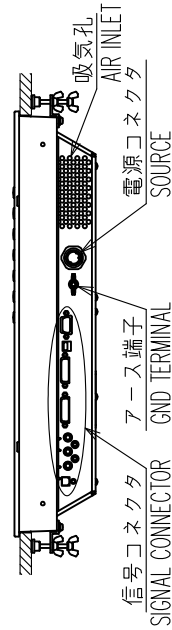
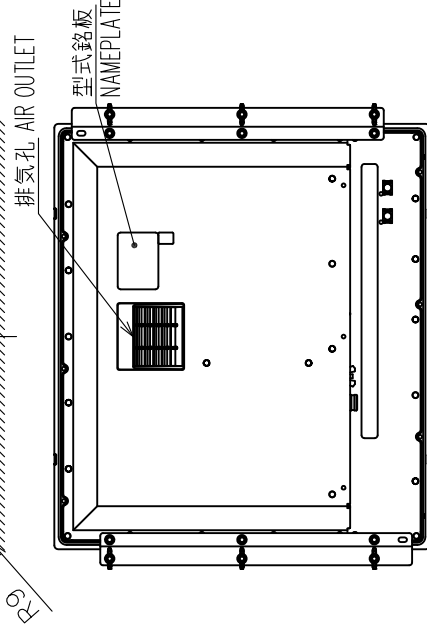


表 1 TABLE 1

寸法区分 (mm)	公差 (mm)
DIMENSION	TOLERANCE
$L \leq 50$	$\pm 1.5$
$50 < L \leq 100$	$\pm 2.5$
$100 < L \leq 500$	$\pm 3$

取付穴寸法図  
CUTOUT DIMENSIONS



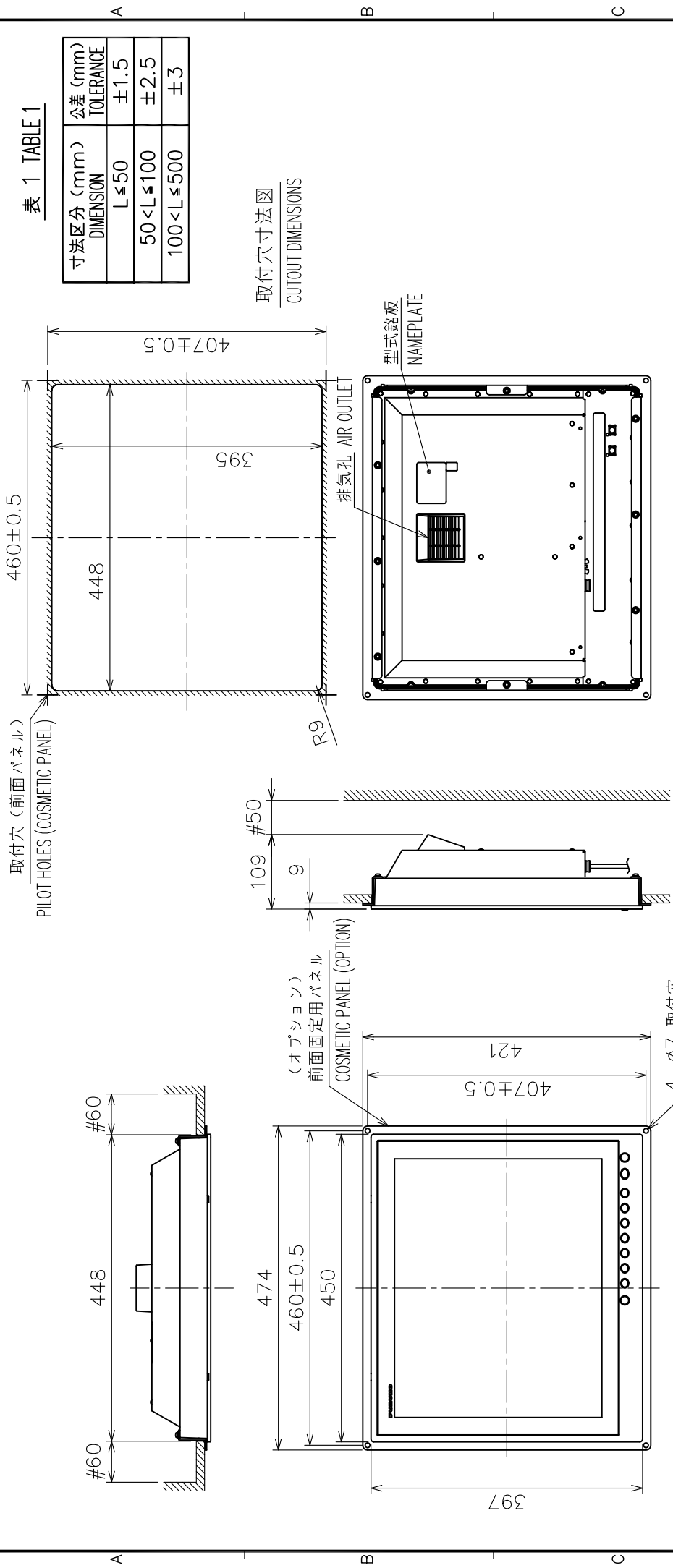
NOTE

1. TABLE 1 INDICATES TOLERANCE OF DIMENSIONS WHICH IS NOT SPECIFIED.
2. # MINIMUM SERVICE CLEARANCE.
3. THE BULKHEAD THICKNESS(A):  $10 \leq A \leq 20$ .
4. SEE TABLE 2 FOR DIMENSIONS OF B AND D.

注 記

- 1) 指定外の寸法公差は表1による
- 2) #印寸法は最小サービス空間寸法とする
- 3) 壁の厚さ(A)は最小10、最大20とする
- 4) B, Dの各寸法は表2による。

DRAWN	26/Jan/10 I.YAMASAKI	TITLE	MU-190HD
CHECKED	26/Jan/10 I.TAKENO	名称	19型カラー-LCD表示器 (埋込装備S)
APPROVED	16/Feb/10 R.Esumi	外寸図	
SCALE	1/8 MASS 8.2 質量はオプションを含まず MASS W/O OPTION	NAME	MARINE DISPLAY (FLUSH MOUNT S)
DWG.No.	C4457-G01-B	REF.No.	26-005-300G-2
			OUTLINE DRAWING



NOTE

1. TABLE 1 INDICATES TOLERANCE OF DIMENSIONS WHICH IS NOT SPECIFIED.
2. # MINIMUM SERVICE CLEARANCE.
3. USE TAPPING SCREWS  $\phi 5 \times 20$  FOR FIXING THE UNIT.
4. HOOD (OPTION) IS NOT APPLICABLE.

注記

- 1) 指定外の寸法公差は表 1 による。
- 2) # 印寸法は最小サービスクリアランスとする。
- 3) 取付ネジはトラスタックピンネジ呼び径  $5 \times 20$  を使用のこと。
- 4) フード (オプション) 装着は不可。

DRAWN	15/Dec/09	I. YAMASAKI	TITLE	MU-190HD
CHECKED	15/Dec/09	I. TAKENO	名称	19型カラー-LCD表示器 (埋込装備 F)
APPROVED	8/Jan/10	R. Esumi	外寸図	
SCALE	1/8	WASS 8.2	NAME	MARINE DISPLAY (FLUSH MOUNT F)
DWG.No.	C4457-G03-B	REF.No.	26-005-330G-1	OUTLINE DRAWING

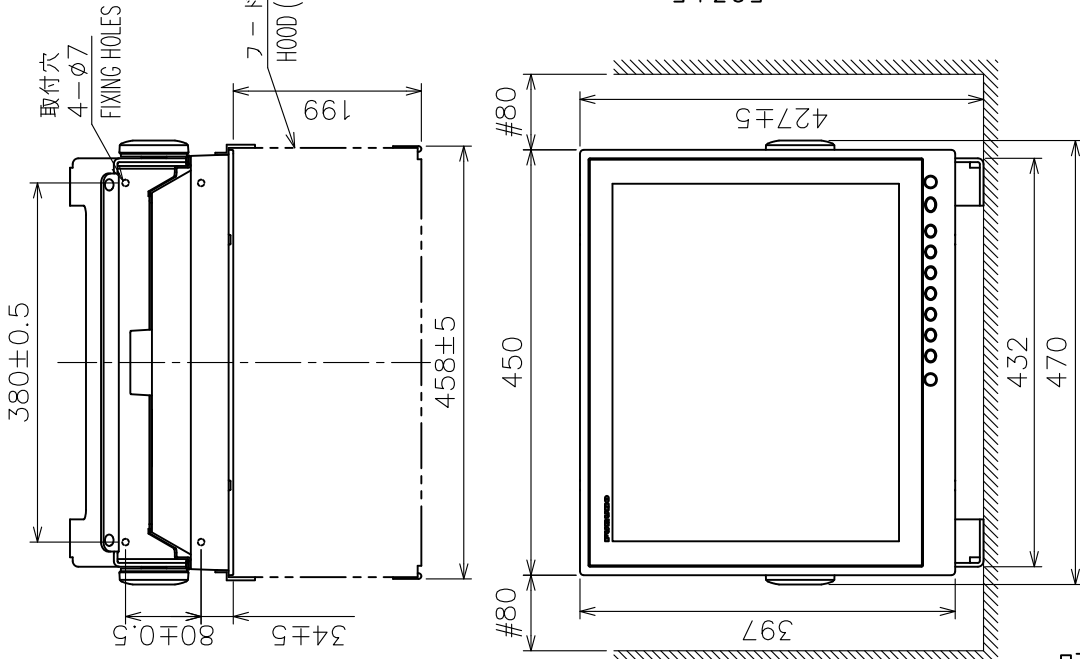
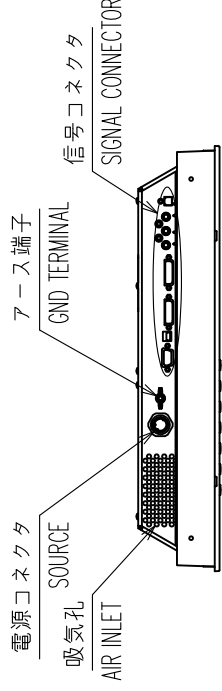
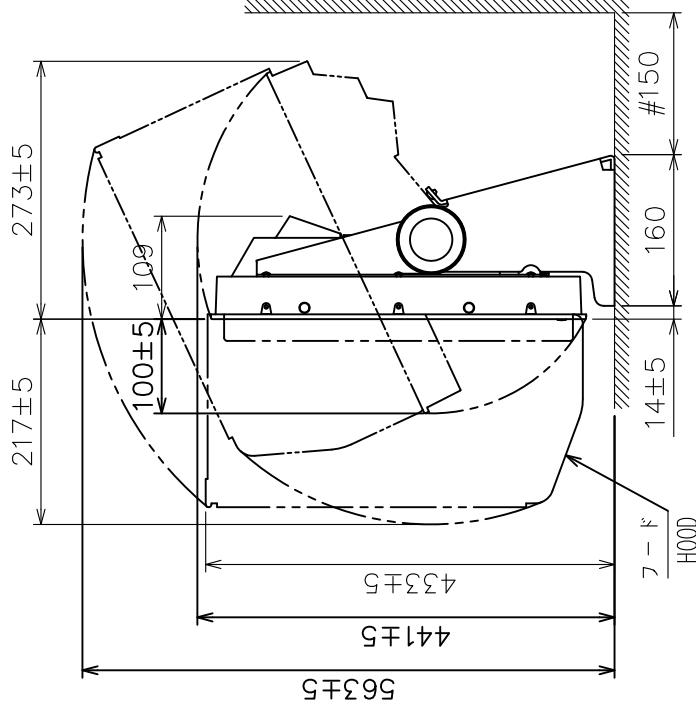


表 1 TABLE 1

寸法区分 (mm)	公差 (mm)
$L \leq 50$	$\pm 1.5$
$50 < L \leq 100$	$\pm 2.5$
$100 < L \leq 500$	$\pm 3$



底面  
BOTTOM VIEW



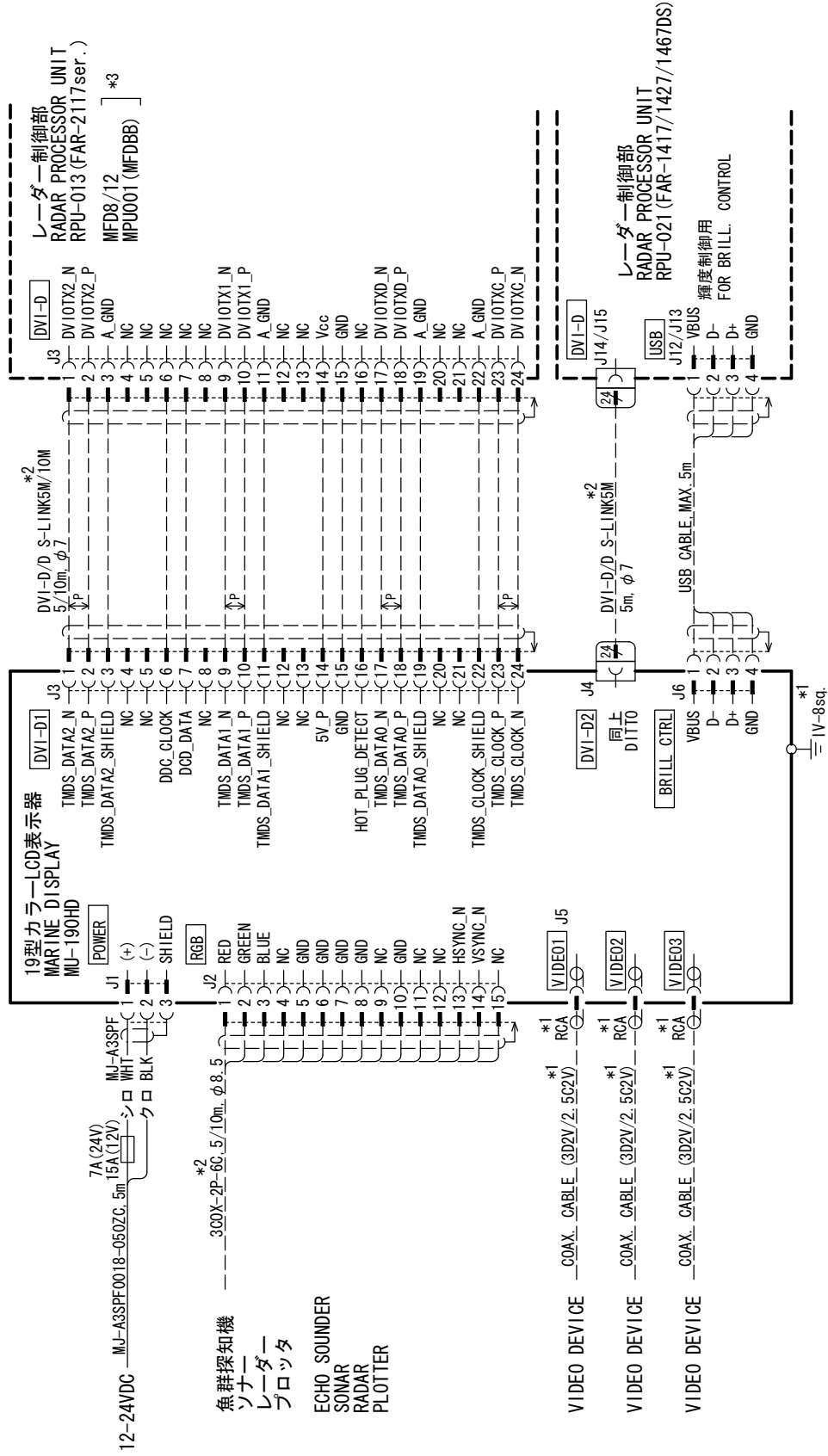
注 記

- 1) 指定外の寸法公差は表 1 による。
- 2) # 印寸法は最小サービスクリアランスとする。
- 3) 取付用ネジはトラスタックピンネジ呼び径5×20を使用のこと。

NOTE

1. TABLE 1 INDICATES TOLERANCE OF DIMENSIONS WHICH IS NOT SPECIFIED.
2. # MINIMUM SERVICE CLEARANCE.
3. USE TAPPING SCREWS  $\phi 5 \times 20$  FOR FIXING THE UNIT.

DRAWN	26/Jan/10	I. YAMASAKI	TITLE	MU-190HD
CHECKED	26/Jan/10	I. TAKENO	名称	19型カラー-LCD表示器 (卓上装備)
APPROVED	16/Feb/10	R. F. Sumi	外寸図	
SCALE	1/8	質量はオプションを含まず 10kg MASS W/O OPTION	NAME	MARINE DISPLAY (TABLETOP MOUNT)
DWG.No.	C4457-G02-B	REF.No.	26-005-310G-2	OUTLINE DRAWING



**注記**  
 \* 1) 造船所手配。  
 \* 2) オプション。  
 \* 3) 輸出仕様のみ。

**NOTE**  
 \*1: SHIPYARD SUPPLY.  
 \*2: OPTION.  
 \*3: FOR EXPORT ONLY.

DRAWN	28/Nov/2012	T. YAMASAKI	TITLE	MU-190HD
CHECKED	28/Nov/2012	H. MAKI	名称	19型カラーLCD表示器
APPROVED	29/Nov/2012	Y. NISHIYAMA	相互結線図	
SCALE	1/25	kg	NAME	MARINE DISPLAY
DWG. No.	C4457-C01-D	REF. No.	26-005-5000-1	INTERCONNECTION DIAGRAM

# FURUNO Worldwide Warranty for Pleasure Boats (Except North America)

This warranty is valid for products manufactured by Furuno Electric Co. (hereafter FURUNO) and installed on a pleasure boat. Any web based purchases that are imported into other countries by anyone other than a FURUNO certified dealer may not comply with local standards. FURUNO strongly recommends against importing these products from international websites as the imported product may not work correctly and may interfere with other electronic devices. The imported product may also be in breach of the local laws and mandated technical requirements. Products imported into other countries as described previously shall not be eligible for local warranty service.

For products purchased outside of your country please contact the national distributor of Furuno products in the country where purchased.

This warranty is in addition to the customer's statutory legal rights.

## 1. Terms and Conditions of Warranty

FURUNO guarantees that each new FURUNO product is the result of quality materials and workmanship. The warranty is valid for a period of 2 years (24 months) from the date of the invoice, or the date of commissioning of the product by the installing certified dealer.

## 2. FURUNO Standard Warranty

The FURUNO standard warranty covers spare parts and labour costs associated with a warranty claim, provided that the product is returned to a FURUNO national distributor by prepaid carrier.

The FURUNO standard warranty includes:

- Repair at a FURUNO national distributor
- All spare parts for the repair
- Cost for economical shipment to customer

## 3. FURUNO Onboard Warranty

If the product was installed/commissioned and registered by a certified FURUNO dealer, the customer has the right to the onboard warranty.

The FURUNO onboard warranty includes

- Free shipping of the necessary parts
- Labour: Normal working hours only
- Travel time: Up to a maximum of two (2) hours
- Travel distance: Up to a maximum of one hundred and sixty (160) KM by car for the complete journey

## 4. Warranty Registration

For the Standard Warranty - presentation of product with serial number (8 digits serial number, 1234-5678) is sufficient. Otherwise, the invoice with serial number, name and stamp of the dealer and date of purchase is shown.

For the Onboard Warranty your FURUNO certified dealer will take care of all registrations.

## 5. Warranty Claims

For the Standard Warranty - simply send the defective product together with the invoice to a FURUNO national distributor. For the Onboard Warranty – contact a FURUNO national distributor or a certified dealer. Give the product's serial number and describe the problem as accurately as possible.

Warranty repairs carried out by companies/persons other than a FURUNO national distributor or a certified dealer is not covered by this warranty.

## 6. Warranty Limitations

When a claim is made, FURUNO has a right to choose whether to repair the product or replace it.

The FURUNO warranty is only valid if the product was correctly installed and used. Therefore, it is necessary for the customer to comply with the instructions in the handbook. Problems which result from not complying with the instruction manual are not covered by the warranty.

FURUNO is not liable for any damage caused to the vessel by using a FURUNO product.

The following are excluded from this warranty:

- a. Second-hand product
- b. Underwater unit such as transducer and hull unit
- c. Routine maintenance, alignment and calibration services.
- d. Replacement of consumable parts such as fuses, lamps, recording papers, drive belts, cables, protective covers and batteries.
- e. Magnetron and MIC with more than 1000 transmitting hours or older than 12 months, whichever comes first.
- f. Costs associated with the replacement of a transducer (e.g. Crane, docking or diver etc.).
- g. Sea trial, test and evaluation or other demonstrations.
- h. Products repaired or altered by anyone other than the FURUNO national distributor or an authorized dealer.
- i. Products on which the serial number is altered, defaced or removed.
- j. Problems resulting from an accident, negligence, misuse, improper installation, vandalism or water penetration.
- k. Damage resulting from a force majeure or other natural catastrophe or calamity.
- l. Damage from shipping or transit.
- m. Software updates, except when deemed necessary and warrantable by FURUNO.
- n. Overtime, extra labour outside of normal hours such as weekend/holiday, and travel costs above the 160 KM allowance
- o. Operator familiarization and orientation.

FURUNO Electric Company, March 1, 2011

## FURUNO Warranty for North America

FURUNO U.S.A., Limited Warranty provides a twenty-four (24) months LABOR and twenty-four (24) months PARTS warranty on products from the date of installation or purchase by the original owner. Products or components that are represented as being waterproof are guaranteed to be waterproof only for, and within the limits, of the warranty period stated above. The warranty start date may not exceed eighteen (18) months from the original date of purchase by dealer from Furuno USA and applies to new equipment installed and operated in accordance with Furuno USA's published instructions.

Magnetrons and Microwave devices will be warranted for a period of 12 months from date of original equipment installation.

Furuno U.S.A., Inc. warrants each new product to be of sound material and workmanship and through its authorized dealer will exchange any parts proven to be defective in material or workmanship under normal use at no charge for a period of 24 months from the date of installation or purchase.

Furuno U.S.A., Inc., through an authorized Furuno dealer will provide labor at no cost to replace defective parts, exclusive of routine maintenance or normal adjustments, for a period of 24 months from installation date provided the work is done by Furuno U.S.A., Inc. or an AUTHORIZED Furuno dealer during normal shop hours and within a radius of 50 miles of the shop location.

A suitable proof of purchase showing date of purchase, or installation certification must be available to Furuno U.S.A., Inc., or its authorized dealer at the time of request for warranty service.

This warranty is valid for installation of products manufactured by Furuno Electric Co. (hereafter FURUNO). Any purchases from brick and mortar or web-based resellers that are imported into other countries by anyone other than a FURUNO certified dealer, agent or subsidiary may not comply with local standards. FURUNO strongly recommends against importing these products from international websites or other resellers, as the imported product may not work correctly and may interfere with other electronic devices. The imported product may also be in breach of the local laws and mandated technical requirements. Products imported into other countries, as described previously, shall not be eligible for local warranty service.

For products purchased outside of your country please contact the national distributor of Furuno products in the country where purchased.

### WARRANTY REGISTRATION AND INFORMATION

To register your product for warranty, as well as see the complete warranty guidelines and limitations, please visit [www.furunousa.com](http://www.furunousa.com) and click on "Support". In order to expedite repairs, warranty service on Furuno equipment is provided through its authorized dealer network. If this is not possible or practical, please contact Furuno U.S.A., Inc. to arrange warranty service.

FURUNO U.S.A., INC.  
**Attention: Service Coordinator**  
4400 N.W. Pacific Rim Boulevard  
Camas, WA 98607-9408  
Telephone: (360) 834-9300  
FAX: (360) 834-9400

Furuno U.S.A., Inc. is proud to supply you with the highest quality in Marine Electronics. We know you had several choices when making your selection of equipment, and from everyone at Furuno we thank you. Furuno takes great pride in customer service.

## EC Declaration of Conformity



We **FURUNO ELECTRIC CO., LTD.**

(Manufacturer)

9-52 Ashihara-Cho, Nishinomiya City, 662-8580, Hyogo, Japan

(Address)

declare under our sole responsibility that the product

**MARINE DISPLAY MU-190HD**

(Model name, type number)

to which this declaration relates is in conformity with the following standard(s) or other normative document(s)

IEC 60945 Ed.4.0: 2002, clauses 9.2, 9.3, 10.3, 10.4, 10.5, 10.8 and 10.9

IEC 60945 Ed.3.0: 1996, clauses 10.2 and 10.3

(title and/or number and date of issue of the standard(s) or other normative document(s))

For assessment, see

- EMC Test Report FLI 12-09-064, October 9, 2009 prepared by Furuno Labotech International Co., Ltd.

This declaration is issued according to the Directive 2014/30/EU of the European Parliament and of the Council of 26 February 2014 on the harmonisation of the laws of the Member States relating to electromagnetic compatibility.

On behalf of Furuno Electric Co., Ltd.

Nishinomiya City, Japan  
April 20, 2016

(Place and date of issue)

Yoshitaka Shogaki  
Department General Manager  
Quality Assurance Department

(name and signature or equivalent marking of authorized person)